

Section - 2

**OZ1PCS
OZ2PCS
OZ4PC10
OZ8PC20
OZ4AW10**

**OZ2MINI
POSEIDON
POSEIDON JR.
POSEIDON P303**

**Generator
Maintenance
Kits**

PCS Generator Series

OZ1PCS

OZ2PCS

Features:

- Patented “Cold Spark” corona discharge
- Safety interlock switch
- Field serviceable corona cells
- **Lifetime C/D cell warranty**
- CSA/US certified for consumer safety
- Wall mountable
- Lightweight aluminum chassis

Benefits:

- Compact size
- High reliability
- Lightweight and corrosion resistant
- Simple and reliable operation
- Easy to service

| Part # | Model # |
|----------|---------------|
| 30010 | OZ1PCS |
| 30010-01 | OZ1PCS-F |
| 30010-02 | OZ1PCS-A |
| 30010-09 | OZ1PCS-V |
| 30010-12 | OZ1PCS-SW |
| 30010-10 | OZ1PCS-V/SW |
| 30010-21 | OZ1PCS-F/V/SW |
| | |
| 30001 | OZ2PCS |
| 30001-01 | OZ2PCS-F |
| 30001-03 | OZ2PCS-A |
| 30001-10 | OZ2PCS-V |
| 30001-11 | OZ2PCS-SW |
| 30001-12 | OZ2PCS-V/SW |
| 30001-17 | OZ2PCS-F/V/SW |



Shipping & Lead Time

Dimensions: D 4.5” x H 17” x W 6.25”
Shipping Weight: 11 lbs
Max. Lead Time: 7 Days
 (This is a normally stocked item)

The OZ1PCS and OZ2PCS are economical ozone generators able to incorporate patented “cold spark” corona discharge technology with low price and high quality. Applications include residential water treatment, sanitation loops, gray water treatment and ozone pilot studies.

Replacement parts are listed in the operation and maintenance manuals supplied with equipment. Ozotech, Inc. generators should be accompanied by air preparation.

| Model | Conc. % | Air Flow (SCFH) | O ² Flow (SCFH) | PP Phoenix (SCFH) | G/Hr. |
|--------|---------|-----------------|----------------------------|-------------------|-------|
| OZ1PCS | .11 | — | — | 4 | .17 |
| OZ1PCS | .04 | 10 | — | — | .15 |
| OZ2PCS | .20 | — | — | 6 | .45 |
| OZ2PCS | .07 | 10 | — | — | .26 |

CONCENTRATIONS UP TO 2.5% BY WEIGHT — DEDUCT 18% OUTPUT FOR 50 HZ MODELS

PCS Generator Series

**OZ4PC10
OZ8PC20**

OZ4AW10

Features:

- Patented “Cold Spark” corona discharge
- Safety interlock switch
- Field serviceable corona cells
- **Lifetime C/D cell warranty**
- CSA/US certified for consumer safety
- Wall mountable
- Lightweight aluminum chassis
- Low power consumption

Benefits:

- Compact size
- High reliability
- Lightweight and corrosion resistant
- Simple and reliable operation
- Easy to service

| PART # | MODEL # |
|----------|----------------|
| 30002 | OZ4PC10 |
| 30002-01 | OZ4PC10-F * |
| 30002-08 | OZ4PC10-V/SW |
| 30002-12 | OZ4PC10-F/V/SW |
| 30115 | OZ4AW-SW |
| 30115-01 | OZ4AW-F/SW |
| 30115-02 | OZ4AW-SW/V |
| 30115-03 | OZ4AW-F-SW/V |
| | |
| 30003 | OZ8PC20 |
| 30003-01 | OZ8PC20-F |
| 30003-04 | OZ8PC20-V/SW |
| 30003-05 | OZ8PC20-F/V/SW |



* Model OZ4PC10-F is CE certified to applicable emissions standards

Shipping & Lead Time

| | | |
|-------------------------|-----------|------------------------|
| Dimensions: | PC Models | W 10" x H 17.5" x D 6" |
| | AW Models | W 14" x H 16" x D 8" |
| Shipping Weight: | 17 lbs | |
| Max. Lead Time: | 7 Days | |

The OZ4PC10 and OZ8PC20 balance compact size with powerful ozone output. Applications include residential water treatment, small residential pools, sanitation loops, gray water treatment and ozone pilot studies.

Replacement parts are listed in the operation and maintenance manuals supplied with equipment. Ozotech, Inc. generators should be accompanied by air preparation.

| Model | Conc. % | Air Flow (SCFH) | O ² Flow (SCFH) | PP Phoenix (SCFH) | G/Hr. |
|-----------------|---------|-----------------|----------------------------|-------------------|-------|
| OZ4PC10 & OZ4AW | .54 | — | — | 5 | 1.1 |
| OZ4PC10 & OZ4AW | .15 | 10 | — | — | .56 |
| OZ8PC20 | .71 | — | — | 5 | 1.5 |
| OZ8PC20 | .21 | 10 | — | — | .76 |

CONCENTRATIONS UP TO 2.5% BY WEIGHT — DEDUCT 18% OUTPUT FOR 50 HZ MODELS

OZ2Mini Series

Oz2 MINI



Features:

- Patented “Cold Spark” corona discharge
- Field serviceable corona cells
- **Lifetime C/D cell warranty**
- Wall mountable
- Lightweight aluminum chassis
- Reliable 60 Hz technology

Benefits:

- Compact size
- Unmatched stability in ozone output over time
- Lightweight and corrosion resistant
- Simple and reliable operation and service

| Part # | Model # |
|----------|-------------------|
| 31292 | 115 Vac, 60 Hz |
| 31292-01 | 220 Vac, 50/60 Hz |

Shipping & Lead Time

| | |
|-------------------------|---------------------------------|
| Dimensions: | D 3.5” x H 9.0” x W 6.0” |
| Shipping Weight: | 10 lbs |
| Max. Lead Time: | 7 Days |

The OZ2MINI is a very economical ozone generator able to incorporate patented “cold spark” corona discharge technology with low price and high quality in a small package. Applications include residential water treatment, sanitation loops, gray water treatment, wastewater treatment and ozone pilot studies.

Replacement parts are listed in the operation and maintenance manuals supplied with equipment. Ozotech, Inc. generators should be accompanied by air preparation.

| Model | Conc. % | Air Flow (SCFH) | O ² Flow (SCFH) | G/Hr. |
|---------|---------|-----------------|----------------------------|-------|
| OZ2MINI | .14 | 1.27 | NA | .062 |
| OZ2MINI | .11 | 1.7 | NA | .067 |
| OZ2MINI | .08 | 2.12 | NA | .073 |

DEDUCT 18% OUTPUT FOR 50 HZ MODELS

Poseidon and Poseidon Jr.

Poseidon = 200 mg/hr (Variable Output)

**“Low Cost” Poseidon Jr. = 100 mg/hr
(No variable output control)**



| Part # | Model # |
|--------|--------------|
| 30281 | POSEIDON |
| 30296 | POSEIDON JR. |

Features:

- Patented “Cold Spark” corona discharge
- 12 VDC, 800 ma
- Rugged aluminum enclosure
- Stainless Steel C/D manifolds (Poseidon Jr. = 1 cell)
- Low maintenance
- Factory tested and calibrated
- **Medium frequency, solid state electronics**
- Wall mountable
- Corrosion resistant

Benefits:

- **Unlike UV ozone generators, the output does not degrade over time**
- High output gas concentration for enhanced solubility
- Simple and reliable operation
- Easy to service, virtually maintenance free
- **The only true 200 mg/hr generator at useable air flow rates**

Shipping & Lead Time

Dimensions: W 4.25" x H 2.5" x L 7.5"
Shipping Weight: 5 Lbs
Max. Lead Time: 10 Days

(These are normally stocked items)

The Poseidon, when compared to other ozone generators offered in the 200 mg/hr range, outperforms them all. Based on a patented “Cold Spark” technology, the output remains constant for years, is higher in concentration by weight at useable air flow rates, possesses superior quality and workmanship and is manufactured in the U.S.A.

Replacement parts are listed in the operation and maintenance manuals supplied with equipment. Ozotech, Inc. generators should be accompanied by air preparation.

| Front Panel Dial Reading | 1 | 2 | 3 | 4 | 5 | Max |
|--------------------------|-----------|-----------|-----------|-----------|-----------|-----------|
| Percent Of Max Output | 10% | 20% | 30% | 40% | 60% | 100% |
| Ozone Output Per Hr. | 22 mg | 44 mg | 88 mg | 132 mg | 176 mg | 220 mg |
| Gas Concentration | 1.0 gm/m3 | 1.1 gm/m3 | 1.3 gm/m3 | 1.6 gm/m3 | 2.5 gm/m3 | 2.8 gm/m3 |

Poseidon P3O3

Positive Pressure Poseidon



Features:

- **Embedded ozone resistant air pump provides positive pressure feed for small applications**
- Rugged aluminum enclosure
- Stainless Steel C/D manifolds
- Plug & play
- Factory tested and calibrated
- **Medium frequency, solid state electronics**
- Wall mountable
- Variable output adjustment

| Part # | Model # |
|--------|---------|
| 30342 | P303 |

Benefits:

- **Unlike UV ozone generators, the output does not degrade over time**
- High output gas concentration for enhanced solubility
- Simple and reliable operation
- Easy to service, virtually maintenance free
- **Perfect for bubbling ozone into small containers and tanks**

Shipping & Lead Time

| | |
|------------------|--------------------------|
| Dimensions: | D 3.5" x H 9.0" x W 6.0" |
| Shipping Weight: | 5 Lbs |
| Max. Lead Time: | 10 Days |

(These are normally stocked items)

The Poseidon P3O3, when compared to other ozone generators offered in the 200 mg/hr range, outperforms them all. Based on a patent pending technology, the output remains constant for years, is higher in concentration by weight at useable air flow rates, possesses superior quality and workmanship and is manufactured in the U.S.A.

Replacement parts are listed in the operation and maintenance manuals supplied with equipment. Ozotech, Inc. generators should be accompanied by air preparation.

| Front Panel Dial Reading ** | 1 | 2 | 3 | 4 | 5 | Max |
|-----------------------------|-------|-------|-------|--------|--------|--------|
| Percent Of Max Output | 10% | 20% | 30% | 40% | 60% | 100% |
| Ozone Output Per Hr. | 22 mg | 44 mg | 88 mg | 132 mg | 176 mg | 220 mg |
| Gas Concentration | 1.0 | 1.1 | 1.3 | 1.6 | 2.5 | 2.8 |

**** Note: For some applications, there is no front panel dial. Ozone output is then preset by factory as per customer request.**

Ozone Generator Maintenance Kits

A - Denotes positive pressure systems kits
B - Denotes negative pressure systems kits

| Generator | Maintenance | Part # | Maintenance Kit # | Part # |
|-----------|-------------|--------|-------------------|--------|
| OZ1PCS | MK1248PC-A | 33118 | MK1248PC-B | 33119 |
| OZ2PCS | MK1248PC-A | 33118 | MK1248PC-B | 33119 |
| OZ4PC10 | MK1248PC-A | 33118 | MK1248PC-B | 33119 |
| OZ8PC20 | MK1248PC-A | 33118 | MK1248PC-B | 33119 |
| OZ4AW | MK1248PC-A | 33118 | MK1248PC-B | 33119 |
| OZ2MINI | NA | NA | MKMINI-B | 33234 |
| POSEIDON | NA | NA | MK POSEIDON-B | 33234 |

Ozone Generator Standard Accessories

| Generator Model | Warranty Card | Check Valve | Spare Fuse | O & M Manual | Installation Manual | Venturi Guide | Spare Tubing | Accessory Packet | C/D Removal Tool |
|-----------------|---------------|-------------|------------|--------------|---------------------|---------------|--------------|------------------|------------------|
| OZ1PCS | •• | •• | •• | •• | •• | •• | •• | •• | •• |
| OZ2PCS | •• | •• | •• | •• | •• | •• | •• | •• | •• |
| OZ4PC10 | •• | •• | •• | •• | •• | •• | •• | •• | •• |
| OZ8PC20 | •• | •• | •• | •• | •• | •• | •• | •• | •• |
| OZ4AW | •• | •• | •• | •• | •• | •• | •• | •• | • |
| OZ2MINI | •• | •• | •• | •• | •• | •• | •• | •• | NA |
| POSEIDON | •• | •• | •• | •• | •• | •• | •• | •• | NA |

Ozone Generator Equipment Options

| Generator Model | 220V , 60 or 50Hz | ORP Control | Variable Control | Auto Power On | On/Off Switch | AC Volt Meters | A/C Line Conditioner |
|-----------------|-------------------|-------------|------------------|---------------|---------------|----------------|----------------------|
| OZ1PCS | •• | •* | • | • | • | | •* |
| OZ2PCS | • | •* | • | • | • | | •* |
| OZ4PC10 | • | •* | • | • | • | | •* |
| OZ8PC20 | • | •* | • | • | • | | •* |
| OZ4AW | • | •* | • | • | Standard | | •* |
| OZ2MINI | • | •* | • | | — | | •* |
| POSEIDON | 12 VDC | •* | Standard | | Standard | | |

- Installed external to system
- Consult with factory for optional equipment costs. Optional equipment may slightly extend lead times

Section - 3

AQUAGEN I

GENERATOR MAINTENANCE

Generators with Built-in Air Preparation

AQUAGEN I

Features:

- Built in air flow meter
- Advanced water-cooled “Delta Cell” technology
- Built in 6 liter per minute oxygen concentrator
- Housed in a NEMA fiberglass enclosure
- 316L stainless steel C/D manifold
- High-Frequency electronic driver circuit
- Over 3.5% by weight at 10 SCFH
- Digital Display of cell current & frequency
- Variable output control
- 4-20 ma & 1-5 volt controller inputs



| Part # | Model # |
|----------|-------------------|
| 30334 | 115 Vac,50/60 Hz |
| 30334-01 | 230 Vac, 50/60 Hz |

Benefits:

- No air preparation required
- Lightweight and corrosion resistant
- Extremely durable, commercial grade
- Fully self-contained
- Simplified installation

Shipping & Lead Time

| | |
|-----------------------------------|------------------------------|
| Dimensions: | W 24" x H 36" x D 12" |
| Shipping Weight: | 85 lbs |
| Max. Lead Time: | 21 Days |
| (This is a normally stocked item) | |

The AQUAGEN I integrates a 316L stainless steel C/D ozone cell ozone and a high frequency driver with a 6- liter oxygen concentrator. Applications include fish ponds, aquariums, pools & commercial spas, kidney dialysis line sanitation, water vending machines, bottling operations, and residential water.

Replacement parts are listed in the operation and maintenance manuals supplied with equipment.

| Model | Conc. % (5 psi cell pressure) | (SCFH) | G/Hr. |
|-----------|-------------------------------|--------|-------|
| AQUAGEN I | 5.75 | 5 | 11.7 |
| AQUAGEN I | 3.5 | 10 | 15.0 |
| AQUAGEN I | 2.65 | 15 | 17.4 |

Generator with Air Preparation Maintenance Kits

| Generator Model | Maintenance Kit # | Part # |
|-----------------|--------------------------------------|-------------------------------------|
| AQUAGEN I | | |
| OZ1OEAP | MK12OEAP-A Serial # J1200 & above | 33123 (diaphragm) 33185 (piston) |
| OZ2OEAP | MK12OEAP-A Serial # J1200 & above | 33123 (diaphragm) 33185 (piston) |

Ozone Generator Standard Accessories

| Generator Model | Warranty Card | Check Valve | Spare Fuse | O & M Manual | Installation Manual | Venturi Guide | Spare Tubing | Accessory Packet |
|-----------------|---------------|-------------|------------|--------------|---------------------|---------------|--------------|------------------|
| AQUAGEN I | • | • | • | • | • | • | • | • |

Ozone Generator Equipment Options

| Model | 220V 60 or 50Hz | ORP Control | Variable Control | Auto Power On | On/Off Switch | AC Volt Meters | A/C Line Conditioner |
|-----------|-----------------|-------------|------------------|---------------|---------------|----------------|----------------------|
| AQUAGEN I | • | • | • | . | • | .. | .. |

* Installed external to system

* Consult with factory for optional equipment costs. Optional equipment may slightly extend lead times.

Section - 4

OZ1BTU- SS

OZ2BTU- SS

OZ4BTU-SS

OZ6BTU-SS

OZ8BTU-SS

**GENERATOR
MAINTENANCE
KITS**

“Slimline” BTU Series

OZ1BTU-SS

OZ2BTU-SS



Features:

- Patented “Cold Spark” corona discharge
- Air cooled operation
- High ozone concentration
- Built in air flow meters
- Safety interlock switch
- Field serviceable “STAINLESS STEEL” corona cells
- 2 year C/D cell warranty
- UL listed components, CE certified
- Wall mountable
- Powder coated aluminum chassis
- 2 year high voltage transformer warranty

Benefits:

- Extremely compact size
- High reliability
- Lightweight and corrosion resistant
- Simple and reliable operation
- Easy to service

| Part # | Model # |
|----------|--|
| 30327 | OZ1BTU, 115 Vac, 50/60 Hz |
| 30327-01 | OZ1BTU-F, 230 Vac, 50/60 Hz |
| 30327-02 | OZ1BTU-V/PM, 115 Vac,50/60 Hz |
| 30327-03 | OZ1BTU-F/V/PM,230 Vac,50/60 Hz |
| 30327-04 | OZ1BTU-F/V/PM,230 Vac,50/60 Hz (No Fans) |
| 30328 | OZ2BTU, 115 Vac, 50/60 Hz |
| 30328-01 | OZ2BTU-F, 230 Vac, 50/60 Hz |
| 30328-02 | OZ2BTU-V/PM, 115 Vac,50/60 Hz |
| 30328-03 | OZ2BTU-F/V/PM,230 Vac,50/60 Hz |
| 30328-04 | OZ2BTU-F/V/PM,230 Vac,50/60 Hz (No Fans) |

* 220 Vac models are CE certified to applicable emissions standards

Shipping & Lead Time

Dimensions: W 9" x H 27.5" x D 10"
Shipping Weight: (OZ1BTU-SS/V/PM) = 45 lbs
(OZ2BTU-SS/V/PM) = 50 lbs
Max. Lead Time: 7 days

This generator series has been engineered with an economic and high quality foundation. The tried and true “cold plasma” technology has been redesigned into a smaller overall package with a handsome black powder coating for an improved appearance. Applications include bottled water, cooling towers, well water, car washers, swimming pools and textile mills.

Replacement parts are listed in the operation and maintenance manuals supplied with equipment. Ozotech, Inc. generators must be accompanied by proper air preparation or warranty will be null and void.

| Model | Conc. % | Air Flow | Oxygen Flow | PP Phoenix | Onyx or OX12 | G/Hr. |
|-----------|---------|----------|-------------|------------|--------------|-------|
| OZ1BTU-SS | 1.0 | 3 | — | — | — | 1.2 |
| OZ1BTU-SS | 1.2 | — | 10.0 | — | — | 4.7 |
| OZ1BTU-SS | 1.1 | — | — | 6 | — | 2.4 |
| OZ1BTU-SS | 1.2 | — | — | — | 10 | 4.6 |
| OZ2BTU-SS | 1.0 | 6 | — | — | — | 2.1 |
| OZ2BTU-SS | 2.2 | — | 10.0 | — | — | 8.3 |
| OZ2BTU-SS | 1.6 | — | — | 6 | — | 3.9 |
| OZ2BTU-SS | 1.7 | — | — | — | 10 | 6.6 |

Concentrations up to 3.5% by weight — Deduct 18% for 50 Hz models

Standard BTU Series

OZ4BTU-SS

OZ6BTU-SS



Features:

- Patented “Cold Spark” corona discharge
- Air cooled operation
- High ozone concentration
- Incorporated air flow meters
- Safety interlock switch
- **Field serviceable Stainless Steel corona cells**
- 2 year C/D cell warranty
- UL listed components
- Wall mountable
- Industrial grade steel enclosure
- 2 year high voltage transformer warranty
- Modular singular cell construction eliminates the need to replace complete manifolds

Benefits:

- Compact size
- High reliability
- Lightweight and corrosion resistant
- Simple and reliable operation
- Easy to service

| Part # | Model # |
|----------|--------------------------------|
| 30329 | OZ4BTU, 115 Vac, 50/60 Hz |
| 30329-01 | OZ4BTU-F, 230 Vac, 50/60 Hz |
| 30329-02 | OZ4BTU/V/PM, 115 Vac,50/60 Hz |
| 30329-03 | OZ4BTU-F/V/PM,230 Vac,50/60 Hz |
| 30330 | OZ6BTU, 115 Vac, 50/60 Hz |
| 30330-01 | OZ6BTU-F, 230 Vac, 50/60 Hz |
| 30330-02 | OZ6BTU/V/PM, 115 Vac,50/60 Hz |
| 30330-03 | OZ6BTU-F/V/PM,230 Vac,50/60 Hz |

Shipping & Lead Time

| | | |
|--------------------|-------------------------|------------------------------|
| Dimensions: | 4 cell: | W 24" x H 36" x D 10" |
| | 6 cell: | W 30" x H 36" x D 10" |
| | Shipping Weight: | 200 lb. minimum |
| | Max. Lead Time: | 30 days |

These precision machined 316L stainless steel chamber generators incorporate Ozotech, Inc.’s patented cold spark corona cells. Electrodes are mounted vertically and are hinged to allow easy access.

Replacement parts are listed in the operation and maintenance manuals supplied with equipment. Ozotech, Inc. generators must be accompanied by proper air preparation or warranty will be null and void.

| Model | Conc. % | Air Flow (SCFH) | Oxygen Flow (SCFH) | G/Hr. | Lbs./Day |
|-----------|---------|-----------------|--------------------|-------|----------|
| OZ4BTU-SS | 1.0 % | 16 | — | 5.6 | .33 |
| OZ4BTU-SS | 1.0 % | — | 40 | 15.2 | .8 |
| OZ4BTU-SS | 2.0 % | — | 23 | 17.6 | .93 |
| OZ6BTU-SS | 1.0 % | 22 | — | 7.7 | .41 |
| OZ6BTU-SS | 1.0 % | — | 60 | 22.5 | 1.34 |
| OZ6BTU-SS | 2.0 % | — | 30 | 23.2 | 1.23 |

Concentrations up to 4.5% by weight — Deduct 18% Output for 50 Hz Models

Standard BTU Series

OZ8BTU-SS



Features:

- Patented “Cold Spark” corona discharge
- Air cooled operation
- High ozone concentration
- Incorporated air flow meters
- Safety interlock switch
- **Field serviceable Stainless Steel corona cells**
- 2 year C/D cell warranty
- UL listed components
- Wall mountable
- Industrial grade steel enclosure
- 2 year high voltage transformer warranty
- Modular singular cell construction eliminates the need to replace complete manifolds

| Part # | Model # |
|----------|----------------------------------|
| 30331 | OZ8BTU-V/PM, 115 Vac, 50/60 Hz |
| 30331-01 | OZ8BTU-F/V/PM, 230 Vac, 50/60 Hz |

Benefits:

- Compact size
- High reliability
- Lightweight and corrosion resistant
- Simple and reliable operation
- Easy to service

Shipping & Lead Time

| | |
|-------------------------|-----------------------------|
| Dimensions: | W 30" x H 48" x D 9" |
| Shipping Weight: | 300 lb. minimum |
| Max. Lead Time: | 30 days |

This is the most powerful generator of the BTU series. It has been engineered with an economic and high quality foundation. Applications include bottled water, cooling towers, well water, car washers, swimming pools and textile mills.

Replacement parts are listed in the operation and maintenance manuals supplied with equipment. Ozotech, Inc. generators must be accompanied by proper air preparation or warranty will be null and void.

| Model | Conc. % | Air Flow (SCFH) | Oxygen Flow (SCFH) | Onyx / OX-12 Flow (SCFH) | G/Hr. | Lbs./Day |
|--------|---------|-----------------|--------------------|--------------------------|-------|----------|
| OZ8BTU | 1.0 | 24 | — | — | 8.2 | .43 |
| OZ8BTU | 2.2 | — | 40 | — | 33.0 | 1.75 |

Concentrations up to 4% by weight — Deduct 18% output for 50 Hz models

Ozone Generator Maintenance Kits

A - Denotes positive pressure systems kits

B - Denotes negative pressure systems kits

| GENERATOR | MAINTENANCE # | PART # | MAINTENANCE # | PART # |
|-----------------|---------------|--------------|---------------|--------|
| OZ1BTU-SL & SS | MK12BT-A | 33115 | MK12BT-B | 33116 |
| OZ2BTU-SL & SS | MK12BT-A | 33115 | MK12BT-B | 33116 |
| OZ4BTU & SS | MK46BT-A | 33114 | NA | NA |
| OZ6BTU & SS | MK46BT-A | 33114 | NA | NA |
| OZ4BTU-SS/V/PM | MK46BT-SS-A | 33122 | NA | NA |
| OZ6BTU -SS/V/PM | MK46BT-SS-A | 33122 | NA | NA |
| OZ8BTU & SS | MK8BT-A | Call Factory | NA | NA |

Ozone Generator Standard Accessories

| Generator | Warranty Card | Check Valve | Spare Fuse | O & M Manual | Installation Manual | Venturi Guide | Spare Tubing | Accessory Packet | C/D Removal |
|----------------|---------------|-------------|------------|--------------|---------------------|---------------|--------------|------------------|-------------|
| OZ1BTU-SS | • | • | • | • | • | • | • | • | • |
| OZ2BTU-SS | • | • | • | • | • | • | • | • | • |
| OZ1BTU-SS/V/PM | • | • KYNAR | • | • | • | • | • | • | • |
| OZ2BTU-SS/V/PM | • | • KYNAR | • | • | • | • | • | • | • |
| OZ4BTU-SS | • | • KYNAR | • | • | • | • | • | • | • |
| OZ6BTU-SS | • | • KYNAR | • | • | • | • | • | • | • |
| OZ4BTU-SS/V/PM | • | • KYNAR | • | • | • | • | • | • | • |
| OZ6BTU-SS/V/PM | • | • KYNAR | • | • | • | • | • | • | • |
| OZ8BTU-SS | • | • KYNAR | • | • | • | • | • | • | • |

Ozone Generator Equipment Options

| MODEL | 220V 60 OR 50Hz | ORP CONTROL | VARIABLE CONTROL | AUTO POWER ON | ON/OFF SWITCH | AC VOLT METERS | A/C LINE CONDITIONER |
|----------------|-----------------|-------------|------------------|---------------|---------------|----------------|----------------------|
| OZ1BTU-SS | • | • | • | • | STANDARD | • | • * |
| OZ2BTU-SS | • | • | • | • | STANDARD | • | • * |
| OZ1BTU-SS/V/PM | • | • | STANDARD | • | STANDARD | STANDARD | • * |
| OZ2BTU-SS/V/PM | • | • | STANDARD | • | STANDARD | STANDARD | • * |
| OZ4BTU-SS | • | • | • | • | • | • | • * |
| OZ6BTU-SS | • | • | • | • | • | • | • * |
| OZ4BTU-SS/V/PM | • | • | STANDARD | • | • | STANDARD | • * |
| OZ6BTU-SS/V/PM | • | • | STANDARD | • | • | STANDARD | • * |
| OZ8BTU-SS | • | • | • | • | • | • | • * |

* External to generator

* Consult with factory for optional equipment costs. Optional equipment may slightly extend lead times.

Section - 5

TI-451

TI-852

“TITANIUM” SERIES CD OZONE GENERATORS

MODELS TI-451 AND TI-852

Features:

- **Extremely** energy efficient (as low as 145 watts per pound of O³)
- **High concentration** outputs up to 9 % (TI-852) and 8.7 % (TI-451) by weight
- Advanced water-cooled “*Delta Cell*” technology with moisture condensation protection
- Variable output control
- Adjustable cell pressure control (0-15 PSI)
- Process monitor /controller compatible (ORP or DO3)
- **State-of-the-art** medium frequency current driver
- 2 year high voltage transformer warranty
- Cells **do not** have to be pressurized to perform
- **Field serviceable stainless steel cells with replaceable glass dielectrics**
- Wall mount or optional stand
- Feed gas flow meter



| Part # | Model # |
|--------|---------|
| 30288 | TI-451 |
| 30289 | TI-852 |

Bonus Features:

Standard fail-safe indicators

- Cooling water high temp and low temp safety shutoff
- Low or no feed gas safety shutoff
- Cooling water low or no flow safety shutoff

Available Options

- Visible water flow meter
- Water pressure limit switch
- Embedded ozone gas monitor
- High feed gas dew point failsafe
- Ambient ozone alarm fail-safe
- Feed gas high dew point failure (fail-safe)

Benefits:

- High reliability
- Simple and reliable operation
- Excellent solubility due to high ozone concentration

SHIPPING & LEAD TIME

| | | |
|-----------------|--------|-----------------------|
| Dimensions: | TI-451 | W 30” x H 36” x D 13” |
| | TI-852 | W 36” x H 42” x D 13” |
| Shipping Wt.: | TI-451 | 250 lbs |
| | TI-852 | 325 lbs |
| Est. Lead Time: | | 4 - 6 weeks |

TECHNICAL SPECIFICATIONS

| | |
|---------------|---|
| Power Source: | 220 Vac, single or three phase |
| Current Draw: | 7.0 amps maximum (TI-451) 14.0 amps maximum (TI-852) |
| Cooling Water | 1.5 GPM @ 20 psi maximum Temp range (55 min-85 max) |

State-of-the-art, high output, competitively priced, water cooled ozone generators, “The Titanium Series”! These generators are utilized in a large variety of ozone applications demanding the economical production of large ozone requirements. By utilizing a variety of air preparation combinations, multiple output and concentration requirements can be achieved.

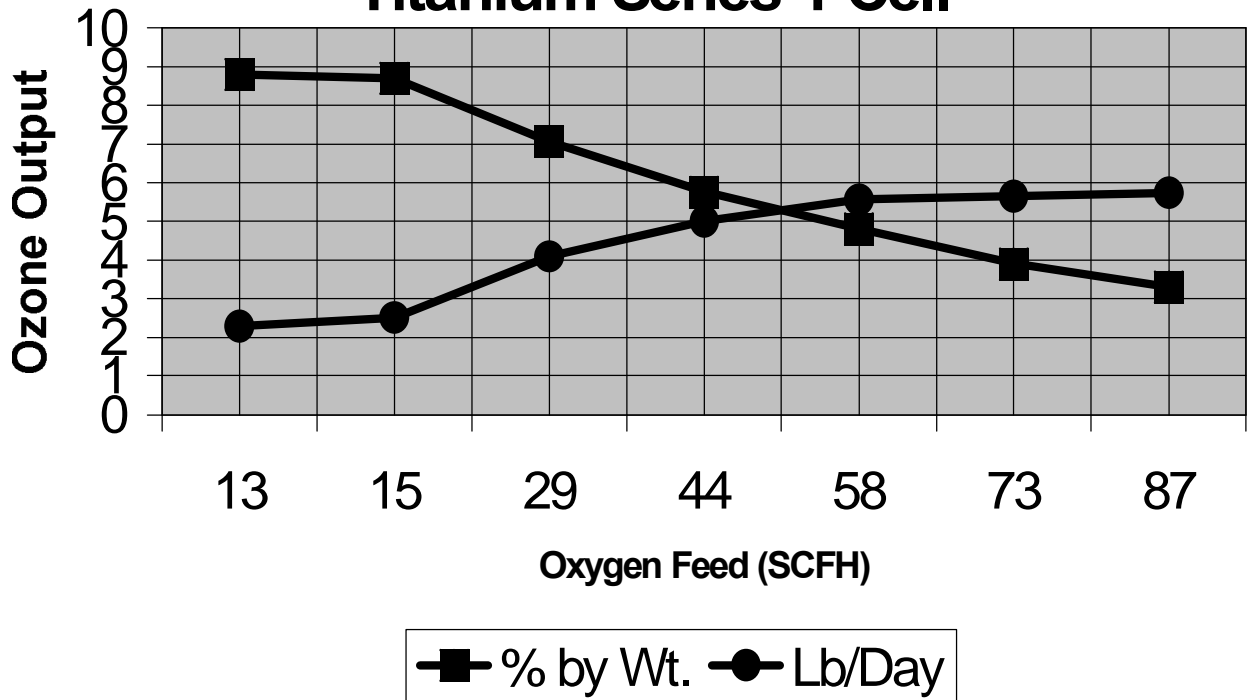
| Model | Concentration % | O ² Flow (SCFH) | 6 Liter O ₂ Concentrator | G/Hr. | Lbs/Day |
|--------|-----------------|----------------------------|-------------------------------------|-------|---------|
| TI-451 | 4.0 | 55 | N/A | 83 | 4.4 |
| TI-852 | 4.6 | 96 | N/A | 166 | 8.8 |
| TI-451 | 8.7 | 10 | N/A | 48 | 2.5 |

Concentrations up to 9 % by weight // Outputs up to 9.8 pounds per day

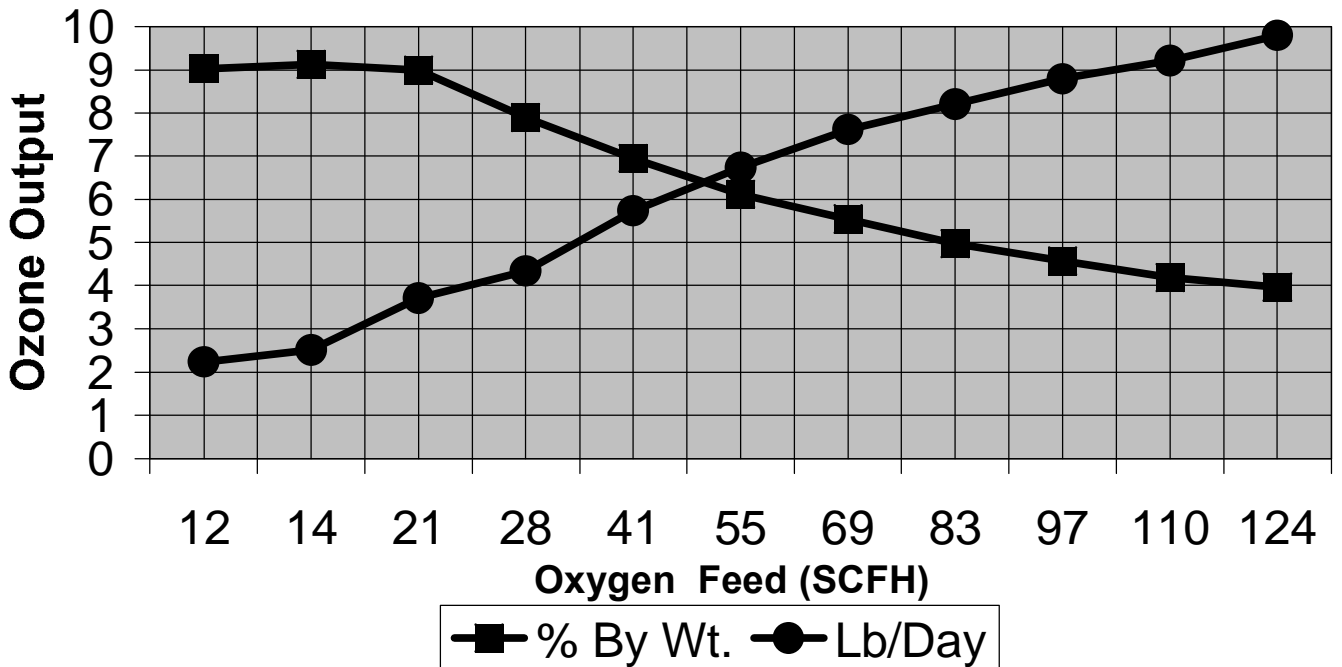
"TITANIUM" SERIES CD OZONE GENERATORS

MODELS TI-451 AND TI-852

Titanium Series 1 Cell



Titanium Series 2 Cell



**Tested in accordance with
WQA Testing Methodology Guidelines**

Section - 6

“Delta 45” High Frequency Generator

Delta 45 Series

“Delta 45”



Features:

- Advanced water-cooled “Delta Cell” technology
- Variable output control
- 4-20 ma & 1-5 volt controller inputs
- O² flow control
- Safety interlock switch
- **Field serviceable Stainless Steel corona cell**
- 2 year high voltage transformer warranty
- State-of-the-Art high frequency current driver
- **LCD display of cell current and operating frequency**
- Process monitor/controller compatible (ORP or DO3)
- Wall mountable
- Cell does not have to be pressurized to perform

Benefits:

- Capable of >5% concentration by weight
- Capable of 16+ g/hr output
- Lightweight and corrosion resistant
- Simple and reliable operation
- Field serviceable

| Part # | Model # |
|----------|-------------------|
| 30337 | 115 Vac, 50/60 Hz |
| 30337-01 | 230 Vac, 50/60 |

Shipping & Lead Time

Dimensions: W 9" x H 27.5 x D 10"
Shipping Weight: 45 lbs
Max. Lead Time: 30 days

Technical Specifications

Current Draw 1.7 Amps@230 Vac
 3.4 Amps@115 Vac
Cooling Water 1.5 GPM @ 20 PSI Maximum
 Temp Range (55 min-85 max)

This is Ozotech’s latest entry into a burgeoning ozone marketplace. The heart of the system is a programmable frequency driver with a “slow-start” drive circuit, current limiting, controller compatibility, digital display of operating frequency as well as cell current and variable output control. Applications include bottled water, cooling towers, well water, car washers, swimming pools and textile mills - just to name a few.

Replacement parts are listed in the operation and maintenance manuals supplied with equipment. Ozotech, Inc. generators must be accompanied by proper air preparation or warranty will be null and void.

| | Conc. % | Cell Pressure | Oxygen Flow (SCFH) | G/Hr. | Lbs./Day |
|---|---------|---------------|--------------------|-------|----------|
| Typical Low-end O ² Flow Rate Performance | 5.55 | 0 | 5 | 10.2 | .5 |
| | 5.15 | 5 | 5 | 11.0 | .58 |
| Typical High-end O ² Flow Rate Performance | 2.76 | 0 | 15 | 15.3 | .81 |
| | 2.62 | 5 | 15 | 16.82 | .89 |
| OX-12 Oxygen Concentrator | 2.55 | 0 | 12.7 | 11.9 | .63 |

Section - 7

DI Dryer

IQ 20

IQ 40

Air Preparation / Dryer Series

DI DRYER

IQ-20



Features:

- **DI Dryer**— Low cost dryer with silica gel beads. Requires periodic regeneration of the beads
- **IQ-20**—Single chamber heat regenerative dryer. Manually controlled timer to set regeneration time.
- Both models are wall mountable

Benefits:

- May be utilized on a wide range of small ozone generators
- Lightweight and corrosion resistant
- Simple and reliable operation
- Easy to service

| Part # | Model # |
|----------|----------------|
| 30077 | DI Dryer |
| 30339 | IQ-20 |
| 30339-26 | IQ-20/F/60Hz** |
| 30339-25 | IQ20/F/50 Hz* |

* 220 VAC / 50 Hz
** 220 VAC / 60 Hz

Shipping & Lead Time

| | | |
|-------------------------|------------|-----------------------|
| Dimensions: | DI Dryer | W 5" x H 12" x D 4" |
| | IQ-20 | W 10 " x H 12" x D 4" |
| Shipping Weight: | DI Dryer : | 10 lbs. |
| | IQ-20 | 5 lbs. |
| Max. Lead Time: | 7 days | |

These models are the economical answer for the budget minded customer. This series is suitable for indoor or dry locations only. If installed outdoors, the units must be protected from the elements.

| Model | Cubic ft / hr | Wattage | Dew-point | Voltage |
|-------|---------------|-----------------------------|--------------------------------|---|
| IQ-20 | 5 To 20 SCFH | 50 VA Typical, 90 VA max | -50°F from 100% to 25% R.H. | Available in 115 and 230 Vac, 50 or 60 Hz |

Replacement parts are listed in the operation and maintenance manuals supplied with equipment. Ozotech, Inc. generators should be accompanied by air preparation.

“Intelligent” Heat Regenerative Air Dryer

MODEL IQ-40

Features:

- Lowest dew-points of any heat regenerative dryer
- **“Intelligence Factor”** Remembers cycle point when power is interrupted and restarts at that point. Other heat regenerative dryers on the market may start from a moisture laden chamber which is damaging to an ozone generator
- 5.56 mm character height, **panel mount LCD display (value-added option)** provides current status of regeneration cycle

Benefits:

- May be utilized on a wide range of small ozone generators
- Lightweight and corrosion resistant
- Simple and reliable operation



| Part # | Model # | Voltage |
|----------|---------|-----------------------|
| 30338 | IQ-40 | 115 Vac, 60 Hz |
| 30338-01 | IQ-40 | 208-230 Vac, 50/60 Hz |

Shipping & Lead Time

Dimensions: W 10" x H 12" x D 4"

Shipping Weight: 15 lbs.

Max. Lead Time: 10 days

These models provide a cost effective alternative to “Oxygen Concentrators” for numerous applications. This series is suitable for indoor or dry locations only. If installed outdoors, the units must be protected from the elements.

Ozotech, Inc. generators should be accompanied by proper air preparation.

Replacement parts are listed in the operation and maintenance manuals supplied with equipment.

| Model | Cubic ft / hr | Wattage | Dew-point | Voltage |
|-------|---------------|----------|------------------------------------|--------------------|
| IQ-40 | 5 - 40 SCFH | 90 Watts | To -50°F At Useable Air Flow Rates | 120 or 208-230 Vac |

Section - 8

Power Prep Phoenix Series

. Phoenix III

. Phoenix V

. Phoenix X

OX-12

Onyx

3 Liter Oxygen Concentrator

**Power Prep Phoenix
(6.6 SCFH OR 3 L/M)**



Features:

- Dewpoint of -100° F
- Air flow rates to 6.7 @ 4 PSI
- Powder coated aluminum chassis
- Piston based design
- Reliable solid state electronics
- Wall mountable
- Heavy duty compressor
- Compact size

Benefits:

- May be used on a wide variety of small ozone generators
- Higher ozone performance
- Lightweight and corrosion resistant
- Simple and reliable operation
- Easy to service

| Part # | Model # |
|----------|----------------|
| 30254 | PP Phoenix |
| 30254-25 | PP Phoenix-F* |
| 30254-26 | PP Phoenix-F** |

* - 220 VAC / 50 Hz

** - 220 VAC / 60 Hz

- 220 Vac models are CE certified to applicable emissions standards

Shipping & Lead Time

Dimensions: W 11.5" x D 9.25" x H 18.25"

Shipping Weight: 24 lbs.

Max. Lead Time: 10 days

(This is a normally stocked item)

This NEW state-of-the-art oxygen concentrator utilizes pressure swing adsorption (PSA) air separation technology resulting in outstanding oxygen purity and superior dewpoint. The Power Prep Phoenix is the next generation lightweight, 3 liter oxygen concentrator able to boost outputs and concentration levels of ozone generators and has been enhanced for superior durability and reliability.

Replacement parts are listed in the operation and maintenance manuals supplied with equipment. Ozotech, Inc. generators must be accompanied by air preparation.

| Model | O ² Content | Wattage | Unit Weight | A/C Voltage | Output Pressure | Max Air Flow (SCFH) |
|--------------------|------------------------|---------|-------------|---|-----------------|-----------------------|
| Power Prep Phoenix | Up to 55% | 200 | 15 Lbs. | 120 VAC 60 Hz or 230 VAC 50/60 Hz | 4 PSI | 6.6 SCFH |

5 Liter Oxygen Concentrator

**Power Prep Phoenix V
(11.0 SCFH OR 5 L/M)**



Features:

- Dewpoint of -100° F
- Air flow rates to 11.0 SCFH @ user defined pressure
- High impact plastic enclosure
- Piston based heavy duty compressor
- Exclusive gear-motor valve
- Ultra-quiet operation
- Exclusive moisture removal system
- Easy to install and maintain

Benefits:

- May be used on a wide variety of medium range ozone generators
- Enhances ozone output performance
- Lightweight and corrosion resistant
- Simple and reliable operation
- **Easy to service**
- **Low cost alternative to the OX-12 and Onyx series**

| Part # | Model # |
|----------|-----------------|
| 30340 | PP Phoenix V |
| 30340-01 | PP Phoenix V-F* |

Electrical Approvals

- UL 60601-1
- CE 0459

Shipping & Lead Time

Dimensions: W 15.5" x D 15.6" x H 27.8"
Shipping Weight: 58 lbs.
Max. Lead Time: 10 days
 (This is a normally stocked item)

This NEW state-of-the-art oxygen concentrator utilizes pressure swing adsorption (PSA) air separation technology resulting in outstanding oxygen purity and superior dew-point. A low cost alternative to the OX-12 where the installation site environment and the application do not require a rugged industrial type concentrator.

Replacement parts are listed in the operation and maintenance manuals supplied with equipment. Ozotech, Inc. generators must be accompanied by air preparation.

| Model | O ² Content | Wattage | Unit Weight | A/C Voltage | Output Pressure | Max Air Flow (SCFH) |
|------------------|------------------------|------------------------|-------------|---|-----------------|-----------------------|
| Phoenix <u>V</u> | 90 + 5% - 3 % | 410 Watts (typical) | 55 Lbs. | 120 VAC 60 Hz or 230 VAC 50/60 Hz | 0-7 PSI | 11.0 SCFH |

10 Liter Oxygen Concentrator

Power Prep Phoenix X (22 SCFH OR 10 L/M)

Features:

- Dewpoint of -100° F
- Air flow rates to 22.0 SCFH @ user defined pressure
- High Impact Plastic Enclosure
- Piston based compressor design
- Reliable solid state electronics
- Ultra Quiet Operation with pre-inlet & inlet filters, plus a silencer located in the inlet filter
- Heavy duty compressor
- Compact size
- 5.5 psig outlet pressure

Benefits:

- May be used on a wide variety of medium ozone generators
- Higher ozone performance
- Lightweight and corrosion resistant
- Simple and reliable operation
- **Easy to service**



| Part # | Model # |
|--------|--------------|
| 30341 | PP Phoenix X |

Oxygen Purity:

>92 + 4% @ 8-10 LPM
 >94 + 2% @ 3-7 LPM
 >92 + 2% @ 1-2 LPM

Shipping & Lead Time

Dimensions: W 19" x D 13.0" x H 27"
Shipping Weight: 59 lbs.
Max. Lead Time: 10 days
 (This is a normally stocked item)

This NEW state-of-the-art oxygen concentrator utilizes pressure swing adsorption (PSA) air separation technology resulting in outstanding oxygen purity and superior dewpoint. The Power Prep Phoenix X is the next generation of 10 liter oxygen concentrators able to boost outputs and concentration levels of ozone generators and has been enhanced for superior durability and reliability.

Replacement parts are listed in the operation and maintenance manuals supplied with equipment. Ozotech, Inc. generators must be accompanied by air preparation.

| Model | O ² Content | Wattage | Unit Weight | A/C Voltage | Output Pressure | Max Air Flow (SCFH) |
|-----------|------------------------|---------|-------------|---------------|-----------------|-----------------------|
| Phoenix X | 92% + 4% | 650 | 56 Lbs. | 120 VAC 60 Hz | 5.5 PSI | 22.0 SCFH |

6 Liter Oxygen Concentrators

OX-12 Series



Features:

- **Product Dewpoint:** $-100^{\circ}\text{ F } (-73^{\circ}\text{ C})$
- Air flow rates to 12.7 @ user defined pressure
- Produces oxygen from compressed air
- Piston based design
- Microprocessor controlled
- Heavy duty compressor
- Automatic and unattended operation
- Low operating cost
- Easy to install and maintain

Benefits:

- May be used on a wide variety of ozone generators
- Enhances ozone output performance
- Lightweight and corrosion resistant
- Simple and reliable operation
- Easy to service

| Part # | Model # | Power Source |
|----------|---------|----------------|
| 30282 | OX1216 | 120 Vac, 60 Hz |
| 30282-25 | OX1225 | 230 Vac, 50 Hz |
| 30282-26 | OX1226 | 230 Vac, 60 Hz |
| 30282-15 | OX12105 | 100 Vac, 50 Hz |
| 30282-16 | OX12106 | 100 Vac, 60 Hz |

Electrical Approvals

- NRTL certified compliance to UL 3101.1
- CSA
- CE Compliant

Shipping & Lead Time

| | |
|-------------------------|--------------------------------------|
| Dimensions: | W 17.25" x D 10.0" x H 26.75" |
| Shipping Weight: | 65 lbs. |
| Max. Lead Time: | 10 days |

(This is a normally stocked item)

This state-of-the-art oxygen concentrator utilizes Pressure Swing Adsorption (PSA) air separation technology resulting in outstanding oxygen purity and superior dew-point. The OX12 is an industrial grade, powerful 6 liter concentrator engineered to deliver optimum air preparation and reliability where high ozone concentration is required.

Replacement parts are listed in the operation and maintenance manuals supplied with equipment. Ozotech, Inc. generators should be accompanied by air preparation.

| Model | O ² Content | Power Consumption | Unit Weight | A/C Voltage | Output Pressure | Max Air Flow |
|-------|------------------------|------------------------------------|-------------|-----------------|-----------------|--------------|
| OX-12 | Minimum of 90% | 350 Watts (Typical @90% Purity) | 55 Lbs. | See Table Above | 0-9 PSI | 12.7 SCFH |

6 Liter Oxygen Concentrators

Onyx Series



Features:

- **Product Dewpoint:** $-100^{\circ}\text{ F } (-73^{\circ}\text{ C})$
- Air flow rates to 12.7 @ user defined pressure
- Produces oxygen from compressed air
- Piston based design
- Microprocessor controlled
- Heavy duty compressor
- Automatic and unattended operation
- Low operating cost
- Easy to install and maintain

Benefits:

- **Low cost alternative to the OX-12 Series**
- May be used on a wide variety of ozone generators
- Enhances ozone output performance
- Lightweight and corrosion resistant
- Simple and reliable operation
- Easy to service

| Part # | Model # | Power Source |
|----------|---------|----------------|
| 30282-01 | OXY1216 | 120 Vac, 60 Hz |
| 30283-25 | OXY1225 | 220 Vac, 50 Hz |
| 30283-16 | OXY1226 | 100 Vac, 60 Hz |

Electrical Approvals

- IEC-601-1
- ISO 8359
- CE 0459
- ISO 9002

Shipping & Lead Time

| | |
|----------------------------|------------------------------------|
| Unit Weight | 54 Lbs |
| Dimensions: | W 15.7" x D 14.5" x H 28.5" |
| Shipping Weight: | 64 lbs. |
| Shipping Dimensions | W 17" x D 15.5" x H 33.0" |

This state-of-the-art oxygen concentrator utilizes Pressure Swing Adsorption (PSA) air separation technology resulting in outstanding oxygen purity and superior dew-point. A low cost alternative to the OX-12 where the installation site environment and the application do not require a rugged industrial type concentrator.

Replacement parts are listed in the operation and maintenance manuals supplied with equipment. Ozotech, Inc. generators should be accompanied by air preparation.

| Model | O ² Content | Power Consumption | Output Pressure | Max Air Flow |
|-------|--|------------------------|-----------------|--------------|
| Onyx | 90% \pm 3% @ (120 Vac) 87% \pm 3% @ (220-240 Vac) | 350 Watts (Typical) | 0-9 PSI | 12.7 SCFH |

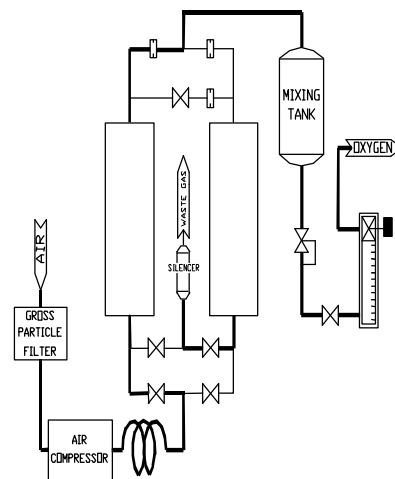
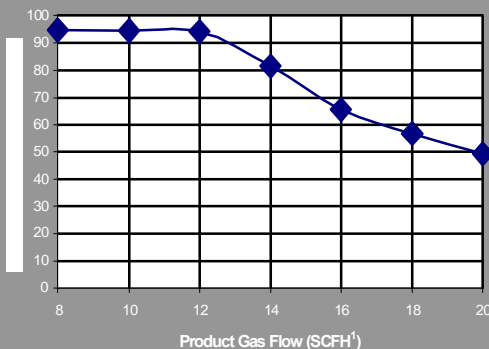
Oxygen Concentrator Summarized Theory of Operation

How does an oxygen concentrator generate up to 90% oxygen from air that only contains 20% oxygen?

The Pressure Swing Adsorption (PSA) Oxygen Generating Process

Air contains 21% oxygen, 78% nitrogen, 0.9% argon, and 0.1% other gases. Ozotech, Inc. Oxygen Generating Systems separate oxygen from compressed air through a unique Pressure Swing Adsorption (PSA) process. The PSA process uses molecular sieve (a synthetic zeolite), which attracts (adsorbs) nitrogen from air at high pressure and releases (desorbs) it at low pressure. Ozotech, Inc. generators use two vessels filled with molecular sieve as adsorbers. As compressed feed air flows through one of the vessels, the molecular sieve adsorbs nitrogen. The remaining oxygen passes through the vessel and exits as the product gas. Before the adsorber becomes saturated with nitrogen, the feed air is diverted to the second vessel. At that point, the sieve in the first vessel regenerates by desorbing the nitrogen through depressurization and purging it with oxygen from the second vessel. This process is then repeated in the second vessel to complete a cycle that allows the oxygen generator to deliver a constant flow of product oxygen at up to 90%

**OX-12 Oxygen Generator
Performance Curve
9 psig Delivery Pressure**



Process Flow

Air Preparation Maintenance Kits

A - Denotes positive pressure systems kits

| GENERATOR MODEL | MAINTENANCE KIT # | PART # |
|----------------------|-------------------|--------|
| POWER PREP PHOENIX | MKPPP-A | 33173 |
| Power Prep Phoenix V | CALL FACTORY | |
| Power Prep Phoenix X | CALL FACTORY | |
| OX-12 | CALL FACTORY | |
| Onyx | CALL FACTORY | |

Air Preparation Standard Accessories

| Model | Check Valve | Flow Meter | Spare Fuse | Manual | Venturi Guide | Tubing | Accessory Packet |
|----------------------|-------------|------------|------------|--------|---------------|--------|------------------|
| POWER PREP PHOENIX | . | • | . | • | . | . | • |
| POWER PREP PHOENIX V | | | | | | | |
| POWER PREP PHOENIX X | | | | | | | |
| OX-12 | . | • | . | • | . | . | • |
| Onyx | . | • | . | • | . | . | • |

Section - 9

**5-10 GPM
Bottled Water System
Features, Drawings & Maintenance**

**11-20 GPM
Bottled Water System
Features, Drawings & Maintenance**

**21-30 GPM
Bottled Water System
Features, Drawings & Maintenance**

**60 GPM
Bottled Water System
Features, Drawings & Maintenance**

Bottled Water System Series

5-10 GPM
Part # 30219

11-20 GPM
Part # 30220

21-30 GPM
Part # 30221

Features (All):

- Engineered for “turn key” operation
- Simple installation
- 4 wire, 220Vac, 50 or 60 Hz input
- Pre-plumbed and wired
- Designed for use with pre-treated water
- Aluminum extruded frame mounting
- **Engineered to meet FDA and IBWA ozone residual recommendations**
- FDA approved materials

Shipping & Lead Time:

| (5-10 GPM) | (11-20 GPM) | (21-30 GPM) |
|-----------------------------------|-----------------------------------|-----------------------------------|
| Lead Time: 30 days | Lead Time: 30 days | Lead Time: 30 days |
| Shipping Wt: 550 lbs. (crated) | Shipping Wt: 600 lbs. (crated) | Shipping Wt: 650 lbs. (crated) |
| Dimensions: W30”x H60”x D25” | Dimensions: W38”x H70”x D30” | Dimensions: W38”x H85”x D48” |

Ozone Equipment: (5-10 GPM)

- OZ4PC10 ozone generator
- Power Prep Phoenix
- 37 gal. SS contact tank
- Schedule 80 plumbing
- Natural Kynar venturi
- 1 hp stainless steel pump
- AR-1 air relief valve

Ozone Equipment: (11-20 GPM)

- OZ1BTU/SL ozone generator
- OX-12 oxygen concentrator
- 78 gal. SS contact tank
- Schedule 80 plumbing
- Natural Kynar venturi
- 1.5 hp stainless steel pump
- AR-1 air relief valve

Ozone Equipment: (21-30 GPM)

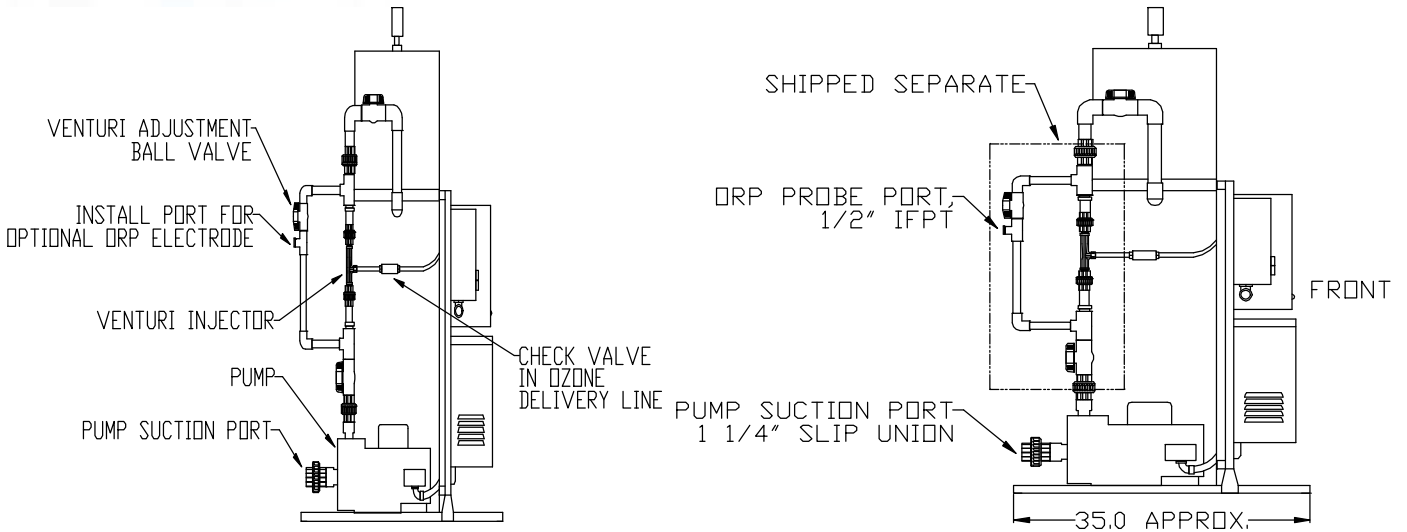
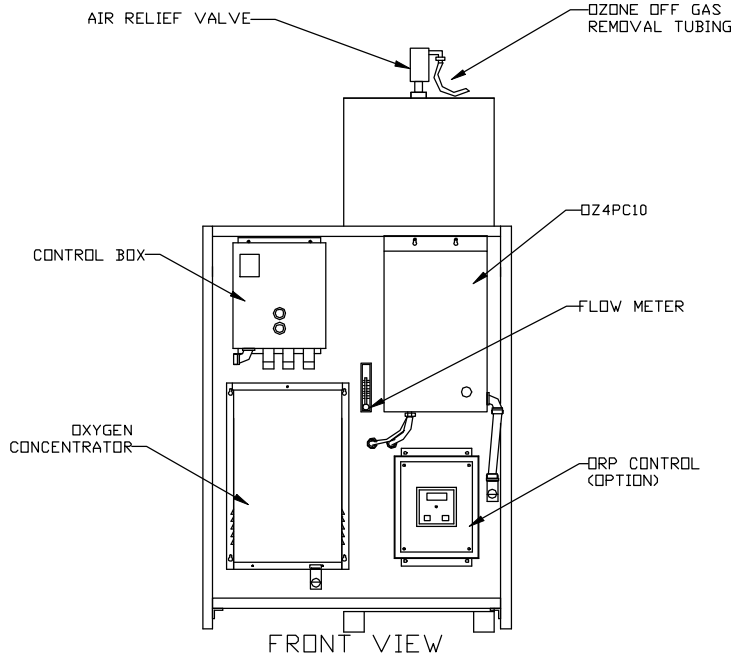
- OZ2BTU/Sl ozone generator
- OX-12 oxygen concentrator
- 122 gal. SS contact tank
- Schedule 80 plumbing
- Natural Kynar venturi
- 2 hp stainless steel pump
- AR-1 air relief valve

Bottled water systems are engineered to ensure ozone residuals meet the FDA and IBWA mandated standards. These systems are designed to be used with pre-treated water. The use of high purity components such as natural Kynar venturi injectors, stainless steel tanks and rust proof extruded aluminum frames are among some of the features included with these systems.

Replacement parts are listed in the operation and maintenance manuals supplied with equipment. Ozotech, Inc. generators should be accompanied by air preparation.

| | |
|-----------------|--|
| 30219 | 5-10 GPM FRAME MOUNTED BOTTLED WATER SYSTEM (220 Vac, 60Hz) |
| 30219-01 | 5-10 GPM FRAME MOUNTED BOTTLED WATER SYSTEM (220 Vac, 50Hz) |
| 30219-02 | 5-10 GPM FRAME MOUNTED BOTTLED WATER SYSTEM WITH ORP CONTROL (220 Vac, 60Hz) |
| 30219-03 | 5-10 GPM FRAME MOUNTED BOTTLED WATER SYSTEM WITH ORP CONTROL (220 Vac, 50Hz) |
| | |
| 30220 | 11-20 GPM FRAME MOUNTED BOTTLED WATER SYSTEM (220 Vac, 60Hz) |
| 30220-01 | 11-20 GPM FRAME MOUNTED BOTTLED WATER SYSTEM (220 Vac, 50Hz) |
| 30220-02 | 11-20 GPM FRAME MOUNTED BOTTLED WATER SYSTEM WITH ORP CONTROL (220 Vac, 60Hz) |
| 30220-03 | 11-20 GPM FRAME MOUNTED BOTTLED WATER SYSTEM WITH ORP CONTROL (220 Vac, 50Hz) |
| | |
| 30221 | 21-30 GPM FRAME MOUNTED BOTTLED WATER SYSTEM (220 Vac, 60Hz) |
| 30221-01 | 21-30 GPM FRAME MOUNTED BOTTLED WATER SYSTEM (220 Vac, 50Hz) |
| 30221-02 | 21-30 GPM FRAME MOUNTED BOTTLED WATER SYSTEM WITH ORP CONTROL (220 Vac, 60Hz) |
| 30221-03 | 21-30 GPM FRAME MOUNTED BOTTLED WATER SYSTEM WITH ORP CONTROL (220 Vac, 50Hz) |

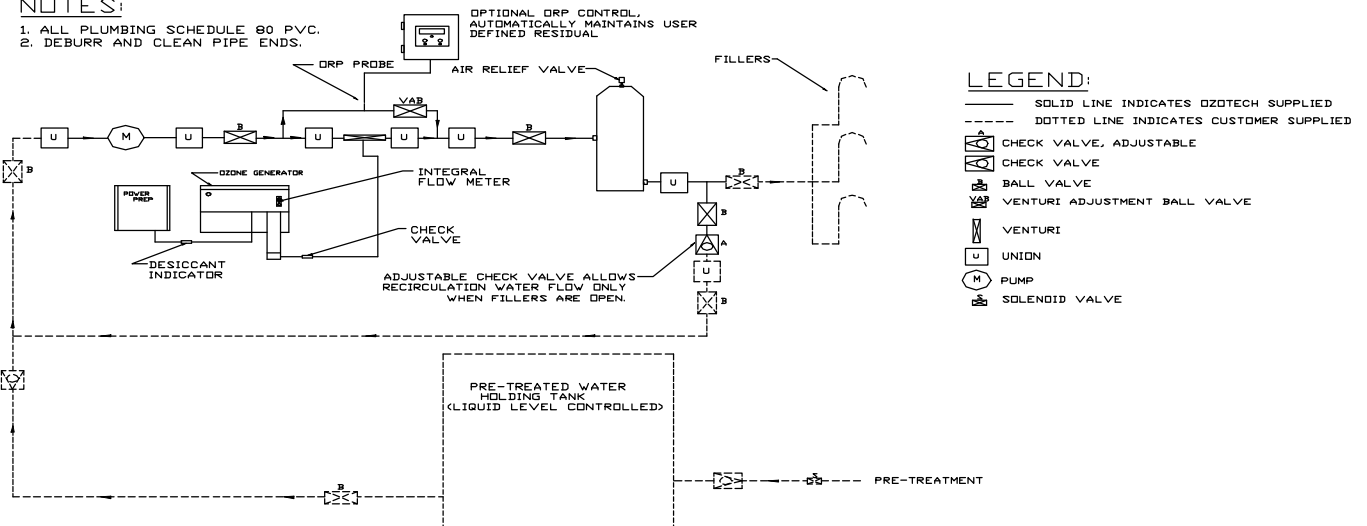
5-10 GPM



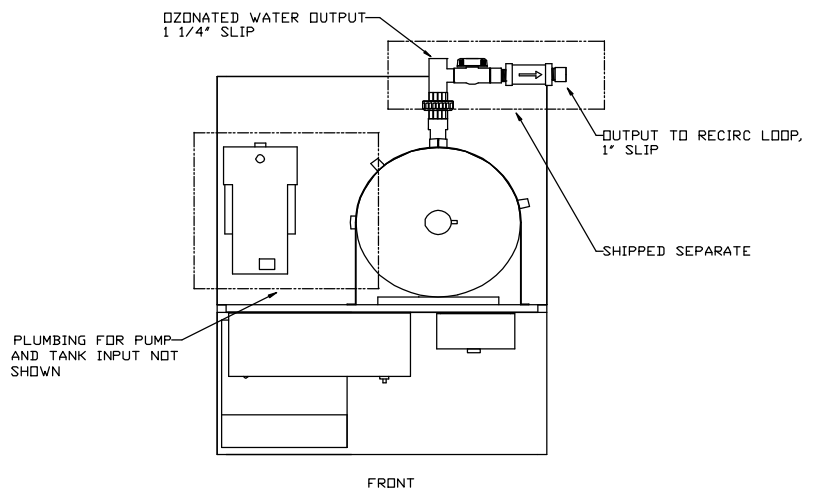
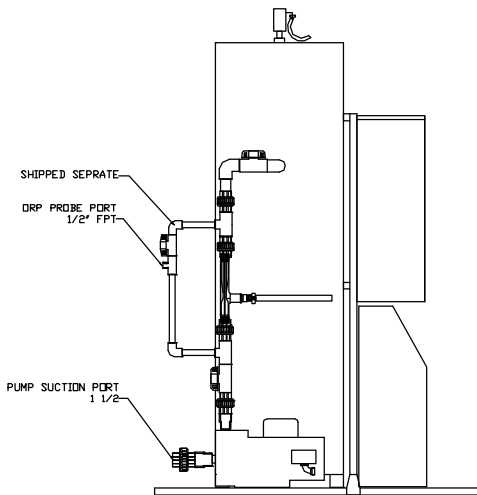
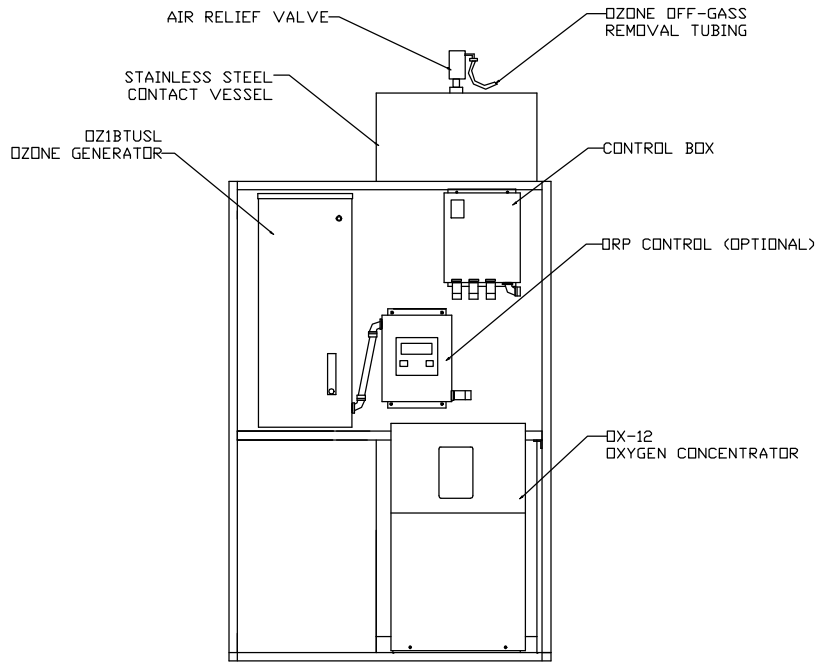
Typical Bottled Water Setup with Recirculation & Treated Holding Tank

NOTES:

1. ALL PLUMBING SCHEDULE 80 PVC.
2. DEBURR AND CLEAN PIPE ENDS.



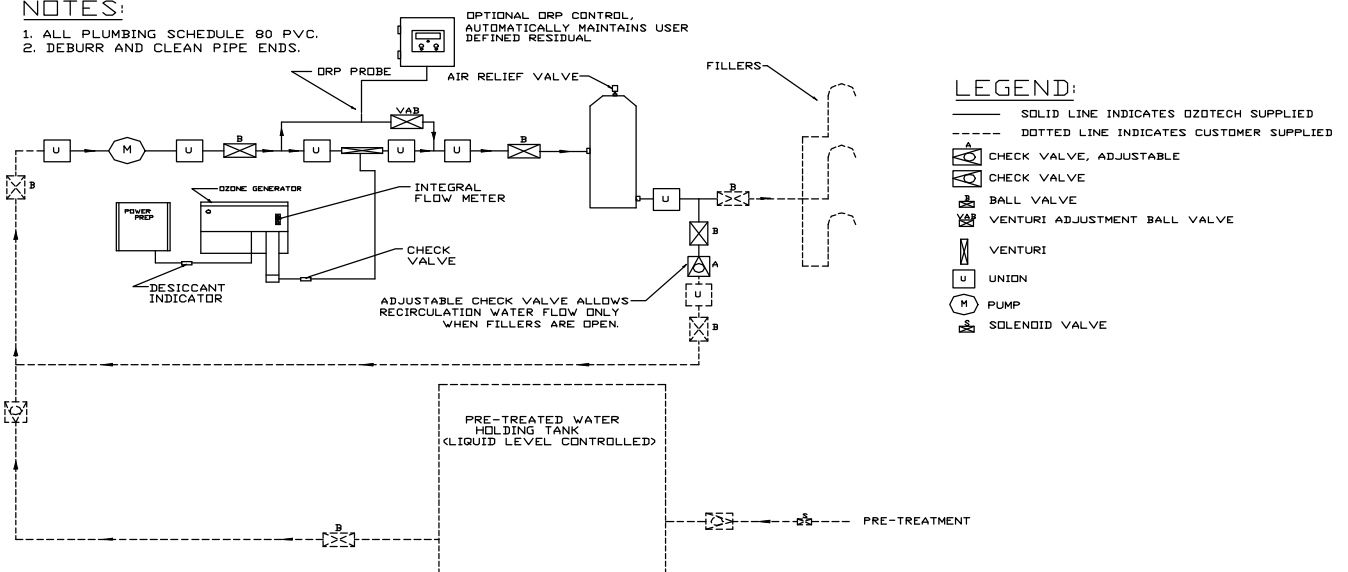
11-20 GPM



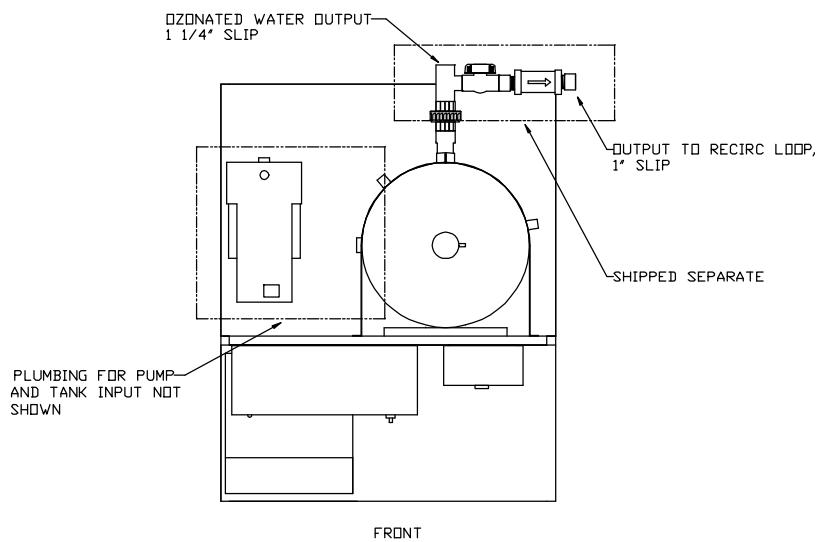
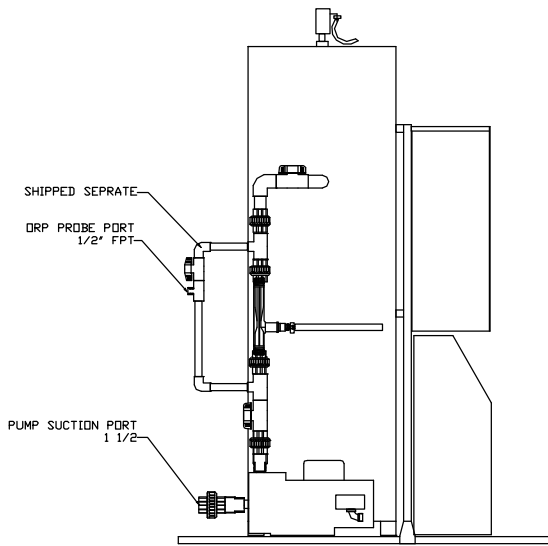
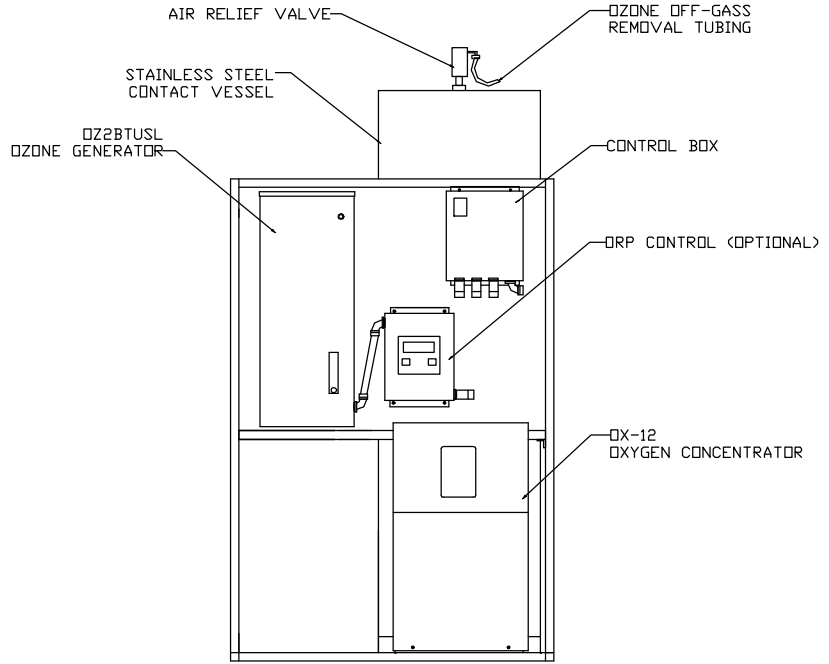
Typical Bottled Water Setup with Recirculation & Treated Holding Tank

NOTES:

1. ALL PLUMBING SCHEDULE 80 PVC.
2. DEBURR AND CLEAN PIPE ENDS.



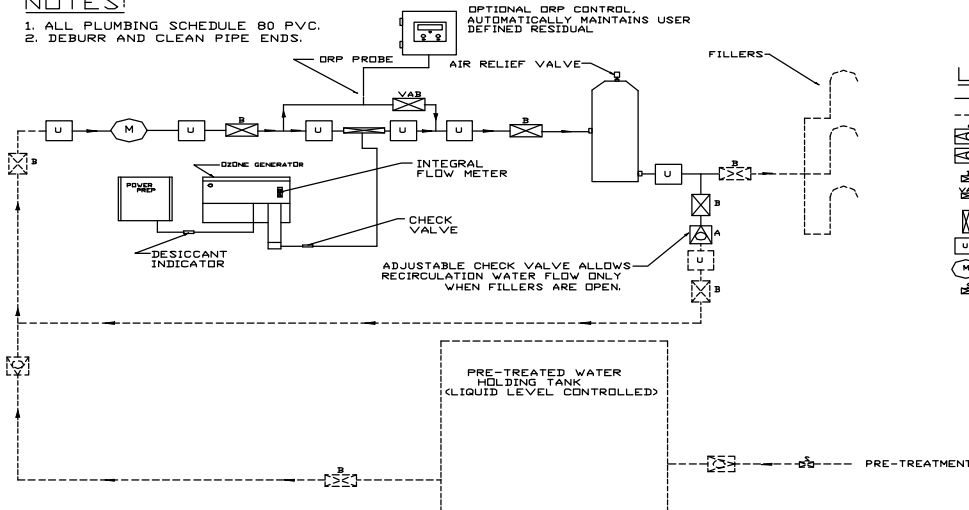
21-30 GPM



Typical Bottled Water Setup with Recirculation & Treated Holding Tank

NOTES:

1. ALL PLUMBING SCHEDULE 80 PVC.
2. DEBURR AND CLEAN PIPE ENDS.



LEGEND:

- SOLID LINE INDICATES OZOTECH SUPPLIED
- - - DOTTED LINE INDICATES CUSTOMER SUPPLIED
- CHECK VALVE, ADJUSTABLE
- CHECK VALVE
- BALL VALVE
- VENTURI ADJUSTMENT BALL VALVE
- VENTURI
- UNION
- PUMP
- SOLENOID VALVE

Bottled Water System Series

60 GPM
Part # 30278

Features (All):

- Engineered for “turn key” operation
- Simple installation
- 4 wire 220V 60 Hz input
- Pre-plumbed and wired
- Designed for use with pretreated water
- Aluminum extruded frame mounting
- Engineered to meet FDA and IBWA ozone residual specifications
- FDA approved materials



Ozone Equipment: (60 GPM)

- OZ6BTU ozone generator
- 2- Power Prep Titans
- 2- 122 gal. SS contact tanks
- On-off control box
- Schedule 80 plumbing
- Natural Kynar venturi injector
- 5 hp stainless steel pump
- 2- AR-1 air relief valves

Shipping & Lead Time:

| | |
|---------------------------|---------------------------|
| Weight: | 1250 lbs |
| Dimensions: | 64”W x 61”D x 93”H |
| Maximum lead-time: | 30 days |

Bottled water systems are engineered to ensure ozone residuals meet the FDA and IBWA mandated standards. These systems are designed to be used with pre-treated water. The use of high purity components such as natural Kynar venturi injectors, stainless steel tanks and rust proof extruded aluminum frames are among some of the features included with these systems.

Ozotech, Inc. can expand system capabilities to meet with different flow rates!!

Replacement parts are listed in the operation and maintenance manuals supplied with equipment. Ozotech, Inc. generators should be accompanied by air preparation.

30278 30-60 GPM frame mounted bottled water system (220 Vac, 60 Hz)

Optional ORP monitor (contact factory)

System Generator and Air Preparation Maintenance Kits, Standard Accessories and System Options

Maintenance Kits

A - Denotes positive pressure systems kits

B - Denotes negative pressure systems kits

| Generator | Maintenance Kit | Part # |
|-----------|-----------------|--------|
| OZ4PC10 | MK1248PC-A | 33118 |
| OZ1BTU/SL | MK12BT-A | 33115 |
| OZ2BTU/SL | MK12BT-A | 33115 |

System Standard Accessories

| System Model | Warranty Card | Spare Fuse | O & M Manual | Installation Manual | C/D Removal |
|--------------|---------------|------------|--------------|---------------------|-------------|
| 5-10 GPM | • | • | • | • | • |
| 11-20 GPM | • | • | • | • | • |
| 21-30 GPM | • | • | • | • | • |

Available System Options

| System Model | 220V 60 Hz or 50 Hz | ORP Control |
|--------------------------------|---------------------|-------------|
| 5-10 GPM Bottled Water System | • | • |
| 11-20 GPM Bottled Water System | • | • |
| 21-30 GPM Bottled Water System | • | • |

Section - 10

Point-of-Entry

- . Simply Pure**
- . Eagle**

Point-of-Use

***“Low Cost” Flozone
Counter-Top
&
Under-Sink***

“Simply Pure” Residential Water Treatment System

Features:

- Fully pressurized system
- Pre-engineered for ease of installation
- Ozotech, Inc ozone and air prep equipment
- Designed to treat residential PROBLEM WATER
- 120V 60 Hz standard voltage configuration
- Different packages to accommodate different flows and contaminant levels.
- Modernized appearance to give that “appliance look”.
- **“PLUG & PLAY”** Complete system with built-in retention and filtration
- Post Carbon Filtration
- Non-depleting filter media



Benefits :

- Eliminates pressure problems with venturi injectors
- Bottled water quality from every tap
- Chemical free
- Removes Iron, Manganese, Hydrogen Sul-fide (rotten egg odor), Arsenic, and many other contaminants
- Food tastes better and clothes look brighter
- No more red or black stains in sinks, show-ers or toilets
- Removes chlorine and chlorine taste from city water
- Particulate removal to <5 micron
- Compact design, takes up little floor space
- Kills bacteria, virus, protozoa, molds and fungi
- Works 3,125 times faster than chlorine
- Destroys biofilm in pipes
- Leaves beneficial minerals and levels of dissolved oxygen in the customers water
- Low maintenance
- Ozone is approved by FDA, USDA and classified as an or-ganic disinfectant. Ozone is granted the GRAS (Generally Regarded as Safe) status by the FDA

Core Equipment:

- OZ4PC10 or OZ1BTU ozone generator
- Heat-regenerative IQ series air dryers
- Properly sized & biased venturi injector for optimum mass transfer
- Booster pump
- Contact tank
- Filter tank

Shipping & Lead Time:

Lead Time: 30 days

Shipping Wt: Small System = 340 Lbs
Large System = 410 Lbs

Base Unit Dimensions: W 24” x D 24” x H 72”

Filter tank:

Small System = 10” Diameter x 72” H
Larger System = 13” Diameter x 72” H

| Part # | Description | Voltage |
|--------|---|-------------------------------|
| 30345 | Low Flow, Low Contaminant System, 10”x 72” Auto-backwash Filter | (120 VAC, 60 Hz) 12.5 Amps |
| 30346 | Hi Flow, Hi Contaminant System, 13” x 72” Auto-backwash Filter | (120 VAC, 60 Hz) 12.5 Amps |

OZ-Eagle Water Treatment System

15 GPM Peak Flow Part #30208



Features (All):

- Pre-engineered for ease of installation
- Treats coliform and fecal bacteria
- Designed to treat residential and commercial applications
- 120V 60 Hz standard voltage configuration
- Engineered at 15 GPM peak to treat iron, manganese & hydrogen sulfide (consult

Benefits :

- Eliminates pressure problems with venturi injectors
- Adjustable recirculation to match water contaminant demand
- Unmatched in H₂S removal capability

Ozone Equipment:

- OZ2BTU/SL ozone generator
- Power Prep Phoenix
- 120 gal. contact tank
- Venturi
- 2 hp stainless steel pump
- Float control module for use with well or municipal water supplies

Shipping & Lead Time:

Lead Time: 30 days

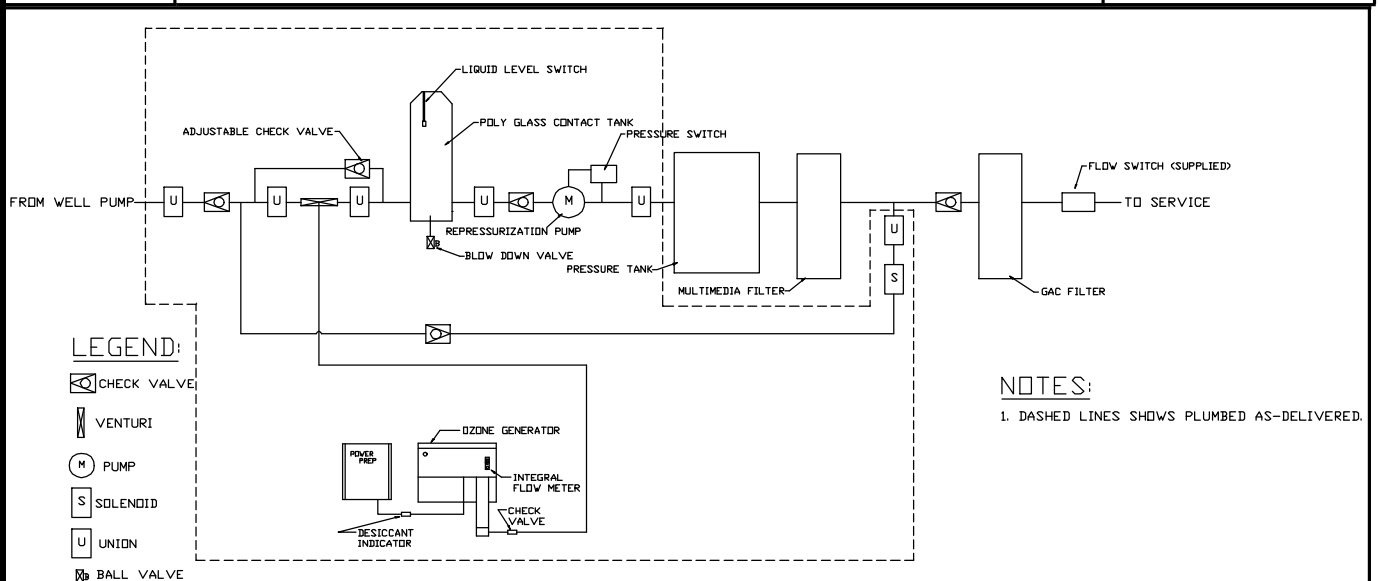
Shipping Wt: 400 lbs. (crated)

Dimensions: W 27" x D 36" x H 79"

This unpressurized water treatment system has been engineered to oxidize a wide range of contaminants. Peak flow rates of 15 GPM are designed for specific household or commercial demands to 1200 gallons per day. The system design is an unpressurized recirculation system without the addition of a recirculation pump.

Replacement parts are listed in the operation and maintenance manuals supplied with equipment. Ozotech, Inc. generators should be accompanied by air preparation.

| Part # | Description | Voltage |
|--------|------------------------------------|------------------|
| 30208 | OZ-Eagle-RS Water Treatment System | (120 VAC, 60 Hz) |



System Generator and Air Preparation Maintenance Kits

A - Denotes positive pressure systems kits

B - Denotes negative pressure systems kits

| Generator Model | Maintenance Kit # | Part # |
|--------------------|-------------------|--------|
| OZ2BTU/SL | MK12BT-B | 33116 |
| POWER PREP PHOENIX | MKPPP-A | 33173 |

SYSTEM AND AIR PREPARATION STANDARD ACCESSORIES

| SYSTEM MODEL | WARRANTY CARD | SPARE FUSE | O & M MANUAL | INSTALLATION MANUAL | C/D REMOVAL TOOL |
|--------------|---------------|------------|--------------|---------------------|------------------|
| EAGLE | • | • | • | • | . |

SYSTEM OPTIONS

| SYSTEM MODEL | 220V 60 OR 50HZ | ORP CONTROL |
|--------------|-----------------|-------------|
| EAGLE | • | . |

“Low Cost” Flozone Counter-Top POU System



Benefits:

- Consumes only a small amount of valuable countertop space
- Highly concentrated dissolved ozone levels for effective microbiological reduction on sponges, wash cloths, countertops, dishes, fruits and vegetables
- No waste water
- Chemical free
- Oxygen enriched product water
- 12 VDC power source allows for optional use in RV’s and boats
- Removes the taste and odor of chlorine
- Removes musty, stale and metallic tastes and odors
- Removes rotten egg odor
- Dispenses almost one gallon per minute of water containing an ozone residual within the FDA recommended range for bottled water

| Part # | Model # |
|----------|--|
| 30314 | 120VAC |
| 30314-01 | All Other Voltages (Including 12 VDC) |

Note: Model 30293-01 does not include the AC to DC power transformer

Features:

- Stainless Steel corona discharge cell
- Multi-media blended filtration
- Solid-state electronics
- Simple counter-top installation
- Convenient diverter valve attachment to existing faucet
- “Power On” initiated when diverter valve is fully opened
- Convenient and easy filter replacement

Bonus Removal Capabilities:

| Contaminant | Raw Water | Post Flozone |
|------------------|-----------|--------------|
| Chlorine | 75 ppm | .01 ppm |
| Arsenic | 5 ppm | .01 ppm |
| Hydrogen Sulfide | 10 ppm | .01 ppm |
| Lead | 2.05 ppm | .10 ppm |
| Mercury | 1.0 ppm | .001 ppm |

Flozone Specifications

| | |
|---------------------------------------|---|
| Weight | 5 lbs |
| Size..... | 10”W x 11”H x 2.5”D |
| Color..... | Silver chromate |
| Flow rate..... | .6 to .7 gallons per min. at 50 psi |
| Daily capacity..... | Up to 1008 gallons |
| Current & voltage..... | 350 milli-amps @ 12 VDC |
| Maximum & minimum water pressure..... | 85 psi max, 25 psi min. |
| Input water turbidity..... | 3 NTU’s (Normal Turbidity Units) maximum |
| Ozone dosage..... | Approximately 1.5 grams per meter cubed |
| Ozone residual..... | .1 to .4 mg/l at 50 psi typical * |
| * | .1 to .4 mg/l represents FDA required ozone residual levels for bottled water |

Shipping & Lead Time

| | |
|------------------|----------------------|
| Dimensions: | W 15” x H 7” x D 15” |
| Shipping Weight: | 7 lbs. |
| Max. Lead Time: | 10 days |

“Low Cost” Flozone Under-Sink POU System



| Part # | Model # |
|----------|--|
| 30293 | 120VAC |
| 30293-01 | All Other Voltages (Including 12 VDC) |

Note: Model 30293-01 does not include the AC to DC power transformer

Benefits:

- Consumes only a small amount of valuable space under the sink
- Highly concentrated dissolved ozone levels for effective microbiological reduction on sponges, wash cloths, countertops, dishes, fruits and vegetables
- No waste water
- Chemical free
- Oxygen enriched product water
- 12 VDC power source allows for optional use in RV’s and boats
- Removes the taste and odor of chlorine
- Removes musty, stale and metallic tastes and odors
- Removes rotten egg odor
- Dispenses almost one gallon per minute of water containing an ozone residual within the FDA recommended range for bottled water

Features:

- Stainless Steel corona discharge cell
- Multi-media blended filtration
- Solid-state electronics
- Simple under-the-sink installation
- Convenient, fashionable, long-neck faucet for dispensing ozonated water used for both rinsing and drinking
- “Power On” initiated when faucet is fully opened
- Extremely compact in size
- Convenient and easy filter replacement

Bonus Removal Capabilities:

| Contaminant | Raw Water | Post Flozone |
|------------------|-----------|--------------|
| Chlorine | 75 ppm | .01 ppm |
| Arsenic | 5 ppm | .01 ppm |
| Hydrogen Sulfide | 10 ppm | .01 ppm |
| Lead | 2.05 ppm | .10 ppm |
| Mercury | 1.0 ppm | .001 ppm |

Flozone Specifications

| | |
|---------------------------------------|---|
| Weight | 5 lbs |
| Size..... | 10”W x 11”H x 2.5”D |
| Color..... | Silver chromate |
| Flow rate..... | .6 to .7 gallons per min. at 50 psi |
| Daily capacity..... | Up to 1008 gallons |
| Current & voltage..... | 350 milli-amps @ 12 VDC |
| Maximum & minimum water pressure..... | 85 psi max, 25 psi min. |
| Input water turbidity..... | 3 NTU’s (Normal Turbidity Units) maximum |
| Ozone dosage..... | Approximately 1.5 grams per meter cubed |
| Ozone residual..... | .1 to .4 mg/l at 50 psi typical * |
| | * .1 to .4 mg/l represents FDA required ozone residual levels for bottled water |

Shipping & Lead Time

| | |
|------------------|----------------------|
| Dimensions: | W 15” x H 7” x D 15” |
| Shipping Weight: | 7 lbs. |
| Max. Lead Time: | 10 days |

Section - 11

AIR PURIFICATION

Mini-Max

Micro-Max

Mega-Max

Mini-Max

Part # 30248



Features:

- Ultra-reliable cold plasma CD technology – No plates to clog up or short out
- 500 mg/hr ozone output
- Rugged powder-coated aluminum chassis
- Variable or timed output
- Low 24 watt power consumption
- Portable
- Low maintenance

Benefits:

- Compact size, consistent ozone output, rugged enclosure and portability make this unit perfect for many applications. Perfect for hotel/motel room treatment
- Compact size
- High reliability
- Lightweight and corrosion resistant
- Easy to service

| Part # | Model # |
|----------|--------------|
| 30248 | OZ1BTAUE-T |
| 30248-01 | OZ1BTAUE-F/T |
| 30248-02 | OZ1BTAUE-V |
| 30248-03 | OZ1BTAUE-F/V |

- 220 Vac models are CE certified to applicable emissions standards

High-tech portable device for the control of noxious odors, toxic gases, bacteria, virus, mold and mildew through oxidation. These units destroy organic odor and fumes through the principle of oxidation.
Note: Ozone accumulation varies with odor intensity and air temperature.

Treats : Motel rooms – Meeting rooms – Homes – Apartments – Tobacco odors
Animal odors – Fire damage – Formaldehyde fumes – Sewage odors
Ammonia odors – Chemical odors – Veterinarian clinics

Specifications:

| | | | |
|------------------------|-------------------|----------------------|-------------|
| Power Consumption..... | 24 Watts | Turn-down ratio..... | 0 to 100% |
| Weight..... | 16 Pounds | On/Off switch..... | Rocker Type |
| Fan..... | 52 CFM | Color..... | Black |
| Dimensions..... | 9" D x 9" W x 7"H | Ozone output..... | 500 mg/hr |

Replacement parts are listed in the operation and maintenance manuals supplied with equipment

Shipping & Lead Time

| | |
|------------------|---------------------|
| Dimensions: | 12"W x 12"D x 11" H |
| Shipping Weight: | 12 lbs. |
| Max. Lead Time: | 10 days |

Micro-Max

Part # 30308



Features:

- Ultra-reliable ceramic and stainless-steel CD technology – No plates to clog up or short out
- 100 mg/hr ozone output
- Attractive high impact aluminum enclosure
- 12 VDC, 320 ma
- Medium frequency, solid-state electronics
- Wall Mountable
- Quiet— 26 dba noise level fan

Benefits:

- Compact size, consistent ozone output, rugged enclosure and portability make this unit perfect for many applications.
- Compact size
- High reliability
- Lightweight and corrosion resistant
- Easy to service

| Part # | Description |
|----------|--|
| 30308 | Basic ozone generator |
| 30308-01 | Ozone generator with 115 Vac to 12 Vdc wall transformer |
| 30308-02 | Ozone generator with cigarette lighter plug and cord |
| 30308-03 | Ozone generator with "twisted pair" of wires terminated with a DC jack |

High-tech portable device for the control of noxious odors, toxic gases, bacteria, virus, mold and mildew through oxidation. These units destroy organic odor and fumes through the principle of oxidation.
Note: Ozone accumulation varies with odor intensity and air temperature.

Application Include: Boat cabins for mold, mildew and odor — tobacco odors — Animal odors — fire restoration — restrooms — used car detailing — deodorize pet cages —

Specifications:

| | | | |
|------------------------|--------------------------|----------------------|-----------|
| Power Consumption..... | 320 milliamps @ 12 VDC | Turn-down ratio..... | N/A |
| Weight..... | 4 Pounds | Noise Level | 26 Dba |
| Fan..... | 9.0 SCFM | Color..... | Silver |
| Dimensions..... | 7.5" L x 4.25" W x 2.5"H | Ozone output..... | 100 mg/hr |

Shipping & Lead Time

| | |
|------------------|---------------------------|
| Dimensions: | 8.0 " L x 5.0" W x 3.0" H |
| Shipping Weight: | 4 lbs. |
| Max. Lead Time: | 10 days |

Mega-Max

2000 mg/hr of Pure Power



Features:

- Engineered Around our Reliable “Cold Spark” Corona Discharge Technology
- 2000 mg/hr ozone output
- Attractive high impact aluminum enclosure
- No plates to clog up or foul—based on tubular technology
- 0-100% turn-down ratio for precise ozone level control
- Channeled air for optimum efficiency
- Plug & Play— no installation required

Benefits:

- **Compact size, consistent ozone output, rugged enclosure and portability make this unit compatible for a myriad of applications.**
- Rapid destruction of mold, mildew & odors
- The perfect complement for smoke and fire restoration projects
- Lightweight and corrosion resistant
- Easy to service

| Part # | Description |
|----------|--|
| 30320 | 115 VAC, 50/60 Hz Timer Controlled |
| 30320-01 | 220 VAC, 50/60 Hz Timer Controlled |
| 30320-02 | 115 VAC, 50/60 Hz Variable Output Control |
| 30320-03 | 220 VAC, 50/60 Hz Variable Output Control |

High-tech portable device for the control of noxious odors, toxic gases, bacteria, virus, mold and mildew through oxidation. These units destroy organic odors and fumes through the principle of oxidation.
Note: Ozone accumulation varies with contaminant intensity, humidity and air temperature.

Treats : Boat cabins for mold, mildew and odor — Tobacco odors—Animal odors – Fire damage – Smoke Damage -- Locker Rooms— And Many More

Note: Not to be applied during periods of time when humans and animals are present at the location

Specifications:

| | | | |
|------------------------|-------------------------|----------------------|------------|
| Power Consumption..... | 850 milliamps @ 115 VAC | Turn-down ratio..... | 0 to 100% |
| Weight..... | 20 Pounds | | |
| Fan..... | 106 CFM | Color..... | Silver |
| Dimensions..... | 22” L x 8” W x 8” H | Ozone output..... | 2000 mg/hr |

Shipping & Lead Time

| | |
|------------------|------------------------|
| Dimensions: | 24 ” L x 12” W x 12” H |
| Shipping Weight: | 22 lbs. |
| Max. Lead Time: | 14 days |

Section - 12

**AQUAZONE III (SURFACE SANITIZER
& CIP SYSTEM)**

X-1 PILOT SCALE SYSTEM

OZONE RESISTANT SOLENOID VALVE

**TERMINATOR—OZONE DESTRUCT
UNITS**

PVC/SS MOISTURE TRAPS

**AMBIENT OZONE MONITORS/
CONTROLLERS & ALARM SYSTEMS**

DISSOLVED OZONE METERS

**ORP AND ORP/pH CONTROLLERS &
MONITORS**

“Low Cost” Mobile Ozone Microbial Reduction System

Manufactured with Pride by Ozotech, Inc.

Features:

- Engineered for “turn-key” operation
- All stainless steel frame
- Will accept a wide range of incoming water pressure (10 PSI to 100 PSI)
- Exclusive “Delta Cell” high frequency design
- “Slow start” frequency driver
- Limited to 3-4 ppm dissolved ozone (Higher ozone levels can create excessive off-gas) Refer to recommended safety option below
- 20 amp GFCI protection
- Soft rubber pneumatic wheels for ease in portability
- “Exclusive” contacting and degassing configuration
- Side stream injection for maximum mass transfer efficiency
- Door safety interlock
- Ozone destructor
- Flow switch & temperature controlled
- On-board oxygen concentrator
- Integrated water-cooled ozone cell for enhanced quality & long term reliability



| Part # | Model | Power Source |
|----------|---------------|----------------|
| 30335 | AaquaZone III | 115 Vac, 60 Hz |
| 30335-26 | AaquaZone III | 220 Vac, 60 Hz |
| 30335-25 | AaquaZone III | 220 Vac, 50 Hz |

Benefits & Applications Include:

- | | |
|---|--|
| <ul style="list-style-type: none"> • Wash wine barrels and tanks • Clean and deodorize floors, walls, restrooms, boot and bins • Deodorize and cleanse produce trucks, cold storage rooms • Clean-in-place system | <ul style="list-style-type: none"> • Spray bars to replace chlorine • Connect to belts and conveyors for mold control • Clean, then destroy microbial contaminants on deck and fish hold areas of commercial fishing boats • Reduces hot water usage and replaces aggressive chemical surface sanitizers |
|---|--|

Recommended Safety Option:

- For safety reasons associated with ozone off-gas in the work area, it is highly recommended that an ambient ozone monitor be utilized during the ozone spray and microbial reduction phase.

Our Mobile Ozone Microbial Reduction Systems are designed to meet the requirements necessary for surface microbial destruction within a myriad of applications. The use of ozone resistant materials throughout the system culminates in long-term reliability.

Ozotech, Inc. can expand or downgrade our systems to meet most any application or budget requirement.

Replacement parts are listed in the operation and maintenance manuals supplied with equipment.

Shipping & Lead Time:

Approx. Shipping Weight: 250 pounds
 Dims: 48” H x 28”D x 24” W
 Estimated lead-time: 3-6 weeks ARO

Mfg’d By Ozotech, Inc.

2401 Oberlin Rd.
 Yreka, CA 96097
 Tel: 530 842 4189
 Fax: 530 842 3238
 Email: sales@ozotech.com

Distributed by:

X-1 PILOT SCALE OZONE TREATMENT SYSTEM

P-SOTS
PART # 31267

Features:

- Only two simple plumbing connections
- Completely turn-key
- Plugs into any standard 120 VAC outlet
- The total pilot system fits within a 3' x 3.5' footprint
- Light weight yet heavy duty aluminum extruded frame

Benefits:

- On-site measurement of ozone demand and half-life (Critical for analysis of optimal dosage and required Ct credits).
- Prediction of full-scale performance
- Familiarity with state-of-the-art technology.
- **HUGE** cost savings potential realized by the ability to precisely determine required dosages



Shipping & Lead Time

| | |
|-------------------------|--------------------------------------|
| Dimensions: | W 39" x H 80" x D 42" |
| Shipping Weight: | 575 lbs. |
| Max. Lead Time: | Call factory for availability |

Theory of Operation:

A scaled-down portion (11 USGPM) of the actual water being evaluated for treatment is piped to the Pilot Scale Ozone Treatment System (PSOTS). A measured ozone dosage is applied to this water and given time to react. Samples are then taken, either after a single pass through the system or after multiple passes. Subsequent laboratory analysis of the water sample yields information of the overall efficacy of ozone for the intended treatment process.

Upon satisfaction with the water quality, data collected during the treatment process is used by Ozotech, Inc., engineers to determine the precise ozone dosage required to achieve the satisfactory results.

Economical Equipment Programs:

- **Short Term Rentals**
- **Purchase**
- **Rent to Own**

Ozone Resistant Solenoid Valve

OZ-ORSV (120VAC) Part # 32156 OZ-ORSV (24VAC) Part # 32147 OZ-ORSV (230VAC) Part # 32168



Features:

- **Most economically priced ozone resistant solenoid available in the market place**
- Constructed entirely of ozone resistant materials and specially formulated industrial PVC
- Internal metering system mechanically self-cleaning
- Opening and closing action smooth and shock-free
- Available in 120VAC, 230VAC & 24VAC
- Flow ranges from 2 to 25 GPM
- Pressure range from 10 to 150 PSI
- Manual external bleed
- Debris tolerant design
- High flow, low friction loss design

| Part # | Model # |
|--------|-------------------|
| 32156 | OZ-ORSV 120VAC |
| 32147 | OZ-ORSV 24VAC |
| 32168 | OZ-ORSV 230VAC |

Benefits:

- Heavy-duty ozone resistant type 1 PVC
- All wetted parts are a proprietary selection of ozone resistant materials
- Encapsulated solenoid
- Easily serviced without removal from the system
- Manual external bleed aids in removing entrained air / eliminates associated problems (water hammer)
- Field proven, rugged, and ozone resistant

Shipping & Lead Time

Dimensions: W 15" x H 7" x D 15"
Shipping Weight: 2 lbs.
Max. Lead Time: 10 days
 (This is a normally stocked item)

With a rugged Type-I PVC body and a proprietary mix of proven ozone-resistant materials of construction, the OZ-ORS is the market's first and only low-cost, high-flow (CV = 15) ozone compatible solenoid valve.

FLOW RATE – GPM

| Model | Size | 2 | 5 | 10 | 15 | 20 | 30 | 40 |
|-----------|------|------|------|------|------|------|------|-------|
| OZ – ORSV | 1" | 3.82 | 3.00 | 2.20 | 1.90 | 3.10 | 5.10 | 11.40 |

Pressure Loss – psi

Terminator Series Ozone Destruct Units

Terminator 25
Part # 30168-02

Terminator 120
Part # 30172-02

Terminator 250
Part # 30169

Features:

- Surface mountable
- Made from 316L stainless steel
- Unique design eliminates troublesome internal heat element
- **Lowest cost ozone destruct units on the market**



Benefits:

- **Simplifies compliance to EPA and OSHA ozone exposure limits**
- Value added addition to any ozone application
- Helps to prevent oxidation and degradation of external equipment and parts that would otherwise be exposed to ozone off-gas at the installation site

| Part # | Model # |
|----------|---------------------|
| 30168-02 | Terminator 25 SCFH |
| 30172-02 | Terminator 120 SCFH |
| 30169 | Terminator 250 SCFH |

| <u>Terminator 25</u> <u>Shipping & Lead Time</u> | <u>Terminator 120</u> <u>Shipping & Lead Time</u> | <u>Terminator 250</u> <u>Shipping & Lead Time</u> |
|--|---|--|
| Dimensions: W 16" x H 8" x D6" Shipping Weight: 5 lbs. Max. Lead Time: 10 days | Dimensions: W 21" x H11" x D9" Shipping Weight: 10 lbs. Max. Lead Time: 10 days | Dimensions: W 37" x H9" x D9" Shipping Weight: 16 lbs. Max. Lead Time: 10 days |

| Model | Maximum Rated Ozone Flow for Destruction |
|----------------|---|
| Terminator 25 | 25 SCFH |
| Terminator 120 | 120 SCFH |
| Terminator 250 | 250 SCFH |

PVC/SS Moisture Traps

| Part Number | Description | Where Used |
|-------------|-------------------------------|------------------------------|
| 33207 | 1.5" PVC Moisture Trap | Used with T-25 |
| 33208 | 3" PVC Moisture Trap | Used with T-120 & T-250 |
| 33209 | Stainless Steel Moisture Trap | Used with T-25, T-120, T-250 |

Ozone Gas Detector Alarm System

Features:

- Precision monitoring and control of ambient ozone levels.
- Transmitter and control box are housed in rugged NEMA 4X enclosures.
- Optional LCD display provides local indication of gas concentration on the front of the enclosure.
- Factory preset at .3 PPM or at customer's desired level
- Direct measuring sensor
- 25' interconnect cable provided
- Loop-powered electronics



Benefits:

- Provides the accuracy needed for compliance to OSHA, EPA and other regulatory agency regulations
- Long lasting sensor element
- Employees can be assured that they are working in a safe environment

| Part # | Model # |
|--------|---------|
| 31284 | B-12 |

Specifications

| | |
|------------------------|------------------------------|
| Accuracy: | Generally $\pm 5\%$ of value |
| Repeatability: | $\pm .5\%$ of span |
| Enclosure: | NEMA 4X |
| Operating temperature: | 0° to +50° C |
| Sensor materials: | Noryl |
| Dimensions: | |
| Transmitter | 4.0" W x 4.0" L x 2.25" D |
| Controller | 8.0" W x 8.0" L x 5.0" D |

Shipping & Lead Time

| | |
|-----------------------------------|------------------------------|
| Dimensions: | W 10" x H 10" x D 10" |
| Shipping Weight: | 5 lbs. |
| Max. Lead Time: | 4 weeks |
| (This is a normally stocked item) | |

The model B-12 is a rugged industrial gas detector system used for monitoring ambient ozone levels in applications where workers may be exposed to high levels of ozone due to excessive off-gas or leaks within the ozone system. Typical applications include bottled water lines, industrial laundry, swimming pools, etc.. Note: Ozotech, Inc. also manufactures ozone destruct devices for even greater control.

Ambient Ozone Gas Controller/Monitor (Commercial Grade)

Series 100



Part Number— 31304

Ozone Monitor/Controller & Switch

Highlighted Features:

Low Cost and High Reliability
LED Status Indicator
Controller
Control Switch

=
=
=
=

Benefits:

Increased Profits
Immediate, Easy to Read Ambient Ozone Status
Friendly “User” Adjustability
External Trigger Signal for Control of Ozone Generator or Alarm System

Specifications as Shown Below:

| | | |
|---|--|------------------------------|
| Sensor type | | Gas-sensitive Semiconductor |
| Measurement range | | |
| Part Number— 31306 | Low concentration Ozone Head | 0.000 to 0.500 ppm |
| Part Number— 31306-01 | High concentration Ozone Head | 0.00 to 5.00 ppm |
| Accuracy | | |
| | Low concentration Ozone Head | ± 0.010 ppm (0 to 0.100 ppm) |
| | | 10% (0.100 to 0.500 ppm) |
| | High concentration Ozone Head | 10% (0.50 to 5.00 ppm) |
| T90 response rate | | |
| | Low concentration Ozone Head | 95 seconds |
| | High concentration Ozone Head | 35 seconds |
| Operating temperature range | -5°C to 50°C (23 °F to 122°F) | |
| Relative humidity limit | 95% maximum | |
| Removable/replaceable sensor heads | Yes | |
| High/ low control or set points | 16 position rotary switches | |
| External signal for control & switching (user supply) | 12 volt, 150mA | |
| Power (user supplied) | 12 volt, 400mA (regulated) | |
| Unit interface (power in, control signal out) | RJ45 connector | |
| Enclosure Size (with monitor) | 64mm Ht x 130mm Dia. (2.5" x 5.1") | |
| LED status indicator | Yes, high, low, within control band, diagnostics | |

Ambient Ozone Gas Controller/Monitor (Commercial Grade)

Series
130

Part Number— 31305



Highlighted Features:

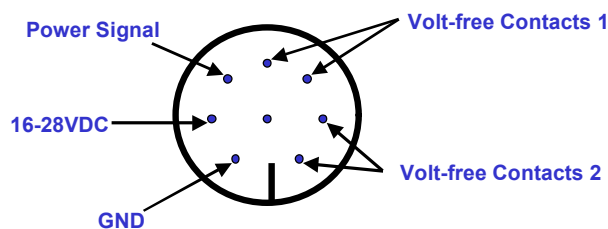
NEMA 2 Equivalent with Particulate Filter =
LED Status Indicator

Benefits:

Added Protection for Industrial Environments
= Immediate, Easy to Read Ambient Ozone Status

Specifications as Shown Below

| | | |
|--|---|---------------------------------|
| Sensor type | | Gas-sensitive Semiconductor |
| Measurement range | | |
| | Low concentration Ozone Head | 0.000 to 0.500 ppm |
| | High concentration Ozone Head | 0.00 to 5.00 ppm |
| Accuracy | | |
| | Low concentration Ozone Head | < ± 0.010 ppm (0 to 0.100 ppm) |
| | | < 10% (0.100 to 0.500 ppm) |
| | High concentration Ozone Head | < 10% (0.50 to 5.00 ppm) |
| T90 response rate (standard) | | |
| | Low concentration Ozone Head | 95 seconds |
| | High concentration Ozone Head | 35 seconds |
| Operating temperature range | -5°C to 50°C (23 °F to 122°F) | |
| Relative humidity limit | 95% maximum | |
| Removable/replaceable sensor heads | Yes | |
| High/ low control or set points | 16 position rotary switches | |
| LED status indicator | Yes | |
| External signal for control & switching | Yes (Volt Free) | |
| Power: | 16VDC - 28VDC or 12VDC (regulated), 400mA | |
| I/O connector supplied (power, control signal) | Industrial Circular Connectors | |
| Enclosure Size | 180mm W x110mm H x 90mm D 7.0" W x 4.3" H x 3.5" D | |
| Enclosure rating | Particulate Filtration | IP11 (NEMA 2) equivalent |
| I/O Connector - see below | | |



S130 Connector Pin Configuration

Dissolved Ozone Meters

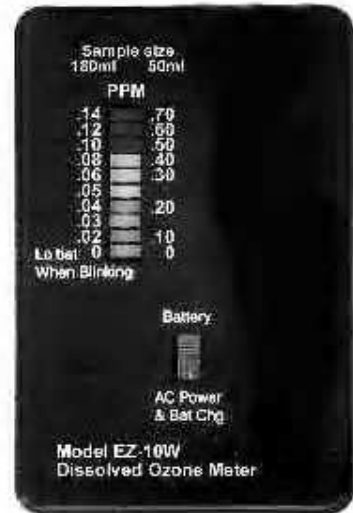
Low Cost Dissolved Ozone Meter

Features:

- No additional test reagents or vacuum ampules to purchase. Therefore, no additional “per test” costs.
- No fouling of the sensor. No special probe installation. No sensor to water contact.
- Easily understood by non-technical personnel. No confusing chemistries or restrictions.
- Easy to check calibration by standard kits.
- Equally suitable for both bench and field measurement
- No interferences from chlorine or salinity.

Specifications:

- Range: .1 to .7 ppm (mg/l) Other ranges possible by sample dilutions.
- Accuracy: Approximately .1 ppm (mg/l) when operated near room temperature.
- Response Time: Reading at 1 1/4 minutes. Reading is independent of the half-life of the ozone in the sample.
- Measurement Principle: HMOS (heated metal oxide semi-conductor) sensor in headspace.
- Bargraph Display: Green: 0.0 to .20 ppm, Yellow: .25 to .40 ppm, Red: .50 to .70 ppm.
- Size: 85 x 35 x 60 mm (3 1/4” x 1 3/8” x 2 3/8”)
- Weight: 154 grams (6 oz)
- Power Requirements: 12-24 volts DC, 300 ma. AC adapters available worldwide.
- Batteries: Self-contained NiMH. About 8 hour capacity. Re-charged by AC adapter overnight.



Product Ordering Information

| Item | Part Number |
|------------------------------|-------------|
| EZ-10W Dissolved Ozone Meter | 31294 |

Ozone Measurement Equipment-ORP

Dual Input ORP/pH Analyzer and Controller

Features:

- Single/Dual sensor input and dual 4-20 mA outputs
- Exclusive quick start programming
- Three fully programmable alarms
- Clear, easy to read, two line, back lit display is easily customized to read in English, French, German, Italian or Spanish
- Temperature correction algorithms.
- NEMA 4X enclosure for surface mounting

Specifications:

- Measurement ranges: pH= 0-14 , ORP= -1500 to + 1500 mV.
- Dimensions: 6.10 X 6.10 X 3.72 inches
- Input: Accepts any combination of one or two pH, ORP/Redox, or conductivity sensors.
- Outputs: Two 4-20 mA or 0-20 mA isolated outputs. Continuously adjustable. Linear or logarithmic. Maximum load 600 ohms.
- Relays: Form C, single pole, double throw, epoxy sealed
- Shipping weight = 4 pounds (2.0 kg)



| Part # | Model # |
|--------|---------------------------|
| 31283 | ORP/pH analyzer |
| 32207 | ORP Probe - dual junction |
| 32208 | pH probe - dual junction |

Handheld ORP Monitor with Probe

Features:

- Probe with BNC connection and 10 ft. cable
- Full platinum band (not a wire strand as in pens and lesser quality electrodes).
- Equally suitable for both bench and field measurement

Specifications:

- Can be used with either an AC adapter kit or a regular 9-volt battery.
- 2 year warranty on monitor
- Enclosure is not water proof and must be operated on a dry surface.
- Accuracy to ± 1 mV



| Item | Part # |
|--------------------------|--------|
| Handheld ORP | 32169 |
| Probe, ORP, 1/2" MPT | 32035 |
| ORP Calibration Solution | 31066 |

Panel Mount ORP Controller

Features:

- 1/4 DIN — ideal for panel mounting
- Two independent SPDT relays for on/off control
- BNC connection for ORP electrodes
- Available with or without Nema enclosure

Specifications:

- Measures ORP from -1900 to +1900 mV
- Measuring resolution = 1 mV
- Set point hysteresis = ± 10
- Shipping weight = 8 pounds



| Item | Part # |
|--------------------------|--------|
| ORP, Enclosed, 115 Vac | 30105 |
| ORP, Enclosed, 230 Vac | 30134 |
| ORP, Panel Mount Version | L-5802 |